

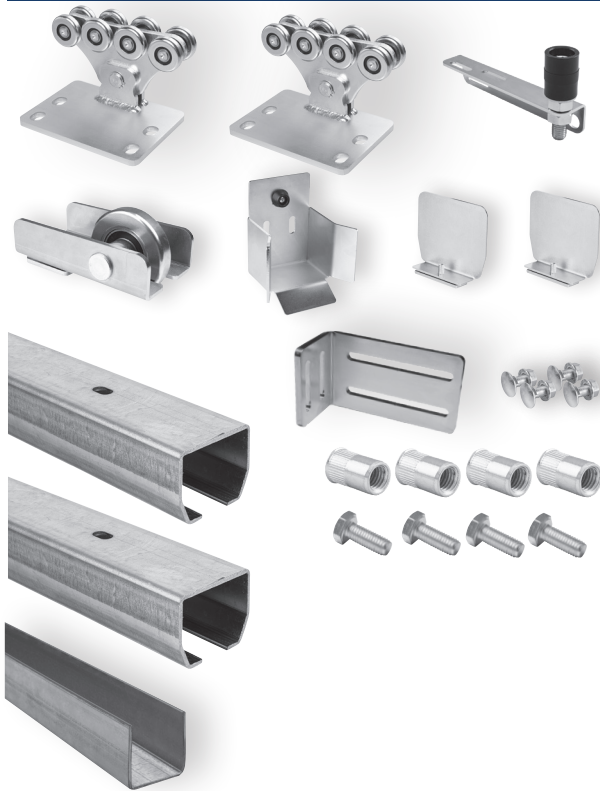
**NEW** 

# **CROSSTRACK S 4.0+4.0 V/6**

CANTILEVER HARDWARE

**CROSSTRACK "S" 4.0**

**SET**



- SPEED SK ..... 2 pcs
- STAGE SZ 2,85 ..... 2 pcs
- DRIVER 38/2,8 ..... 2 pcs
- RUN S ..... 1 pc
- LAST S ..... 1 pc
- PILOT SN ..... 2 pcs
- JRS 30 ..... 1pc
- PARK CSM ..... 1 pc
- BOLT M10x25 ..... 15 pcs
- RIVET NUT ..... 15 pcs

**ART. SET / kg**

E-BOX "S" 4.0 .....73,6 kg

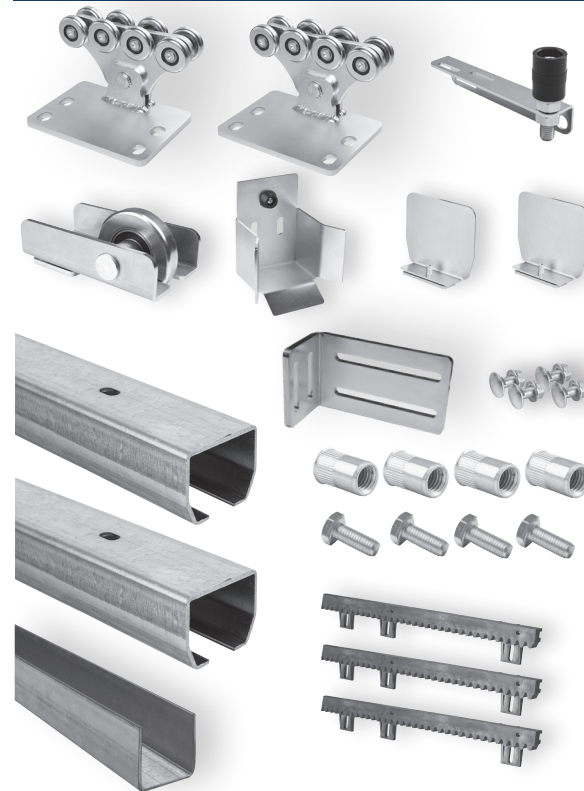
**GATES UP TO**

LENGHT ..... 4 m

**CODE: 1710079**

**CROSSTRACK "S" 4.0 - V/6**

**SET**



- SPEED SK ..... 2 pcs
- STAGE SZ 2,85 ..... 2 pcs
- DRIVER 38/2,8 ..... 2 pcs
- RUN S ..... 1 pc
- LAST S ..... 1 pc
- PILOT SN ..... 2 pcs
- JRS 30 ..... 1pc
- PARK CSM ..... 1 pc
- BOLT M10x25 ..... 15 pcs
- RIVET NUT ..... 15 pcs
- V/6 ..... 5pcs

**ART. SET / kg**

E-BOX "S" 4.0-V/6.....80,2kg

**GATES UP TO**

LENGHT ..... 4 m

**CODE: 1710088**



**W Wuppermann**

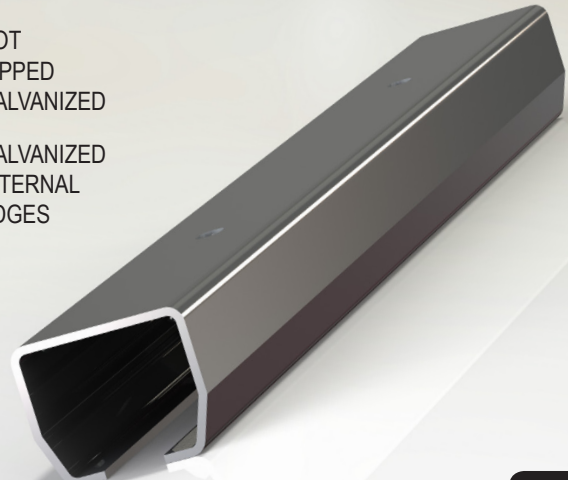
GERMAN STEEL

270  
g/m<sup>2</sup>

HOT  
DIPPED  
GALVANIZED



GALVANIZED  
INTERNAL  
EDGES



SPECIAL  
THICKNESS

3,50  
mm

24  
months

24 MONTHS  
TESTED  
& PROVEN



- 37°C  
TESTED  
& PROVEN



+ 50°C  
TESTED  
& PROVEN



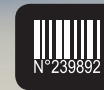
MADE IN THE  
CZECH  
REPUBLIC



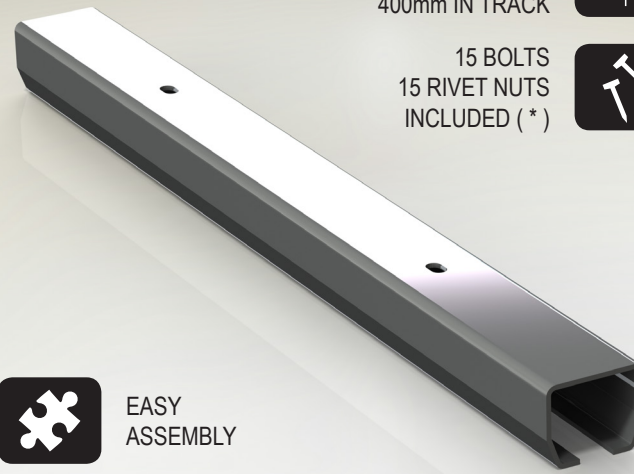
SLOTTED HOLE  
PUNCHED EVERY  
400mm IN TRACK



15 BOLTS  
15 RIVET NUTS  
INCLUDED ( \* )



SERIAL NUMBER  
CARRIAGE  
TESTED & PROVEN



EASY  
ASSEMBLY



FAST  
NO WELDING REQUIRED



BRNO  
UNIVERSITY  
OF TECHNOLOGY



ARROW  
STRAIGHT  
«C» TRACK



EIGHTEEN ROLL FORMERS  
THE MOST IN THE INDUSTRY  
REMOVE THE INSET «MEMORY» OF STEEL

18

AVAILABLE  
CUSTOMISED LENGTHS  
UNDER SPECIAL TERMS



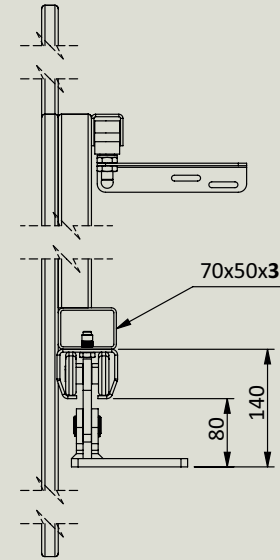
SLOW ROLLING  
NO HEAT DURING THE PRODUCTION  
KEEPING THE MATERIAL WHERE IT IS ROLLED























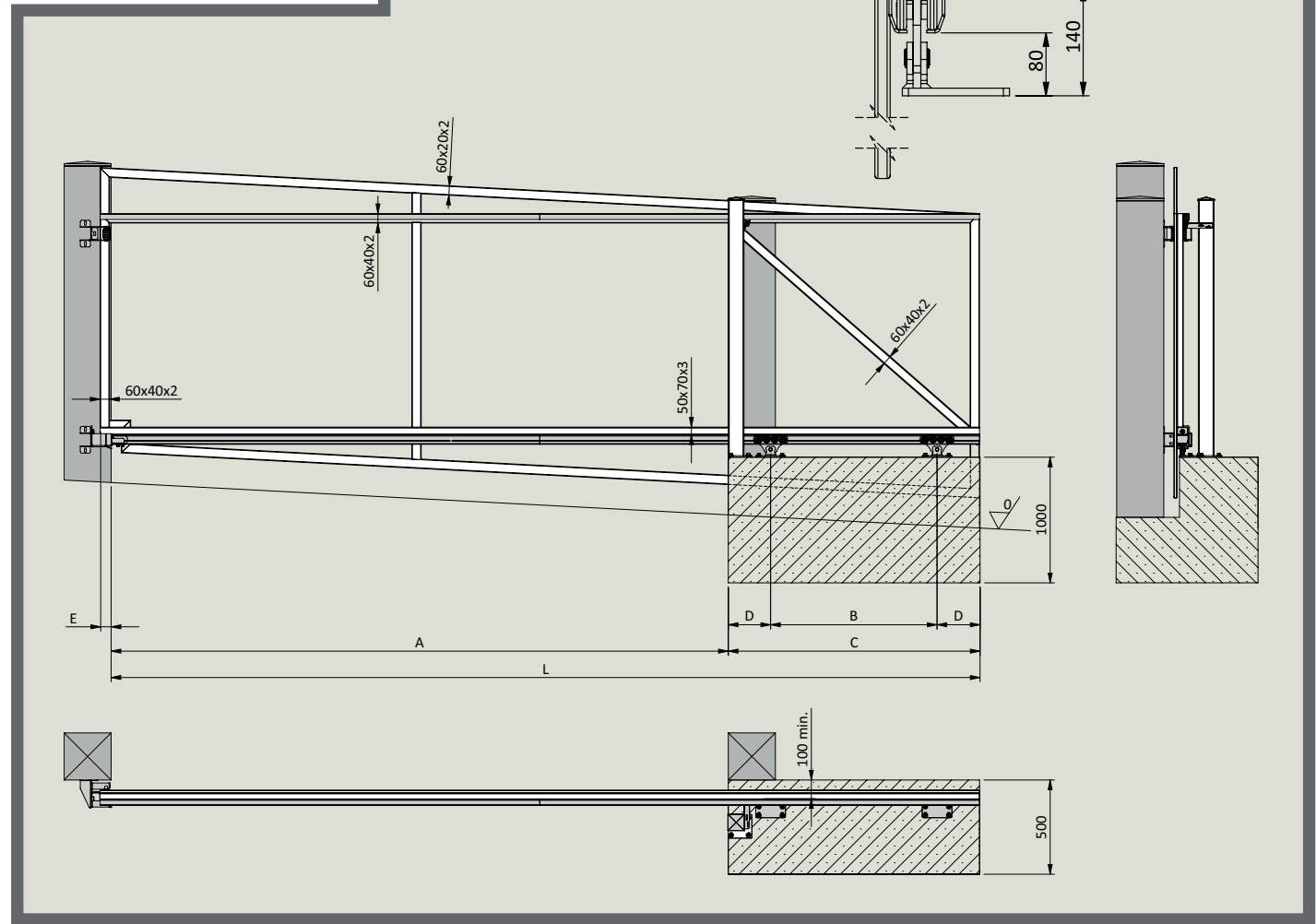
CANTILEVER SK								
	mm; kg	mm; kg	mm; kg	mm; kg	mm; kg	mm; kg	mm; kg	mm; kg
A	3000	3200	3400	3600	3800	4000	4200	4500
max. weight gate	325 kg	325 kg	325 kg	350 kg	375 kg	400 kg	425 kg	450 kg
B	900	960	1020	1080	1140	1200	1260	1350
C	1440	1500	1560	1620	1680	1740	1800	1890
D	270	270	270	270	270	270	270	270

$$B = 0,3 \times A$$

$$L = A + B + (2 \times D) + E$$

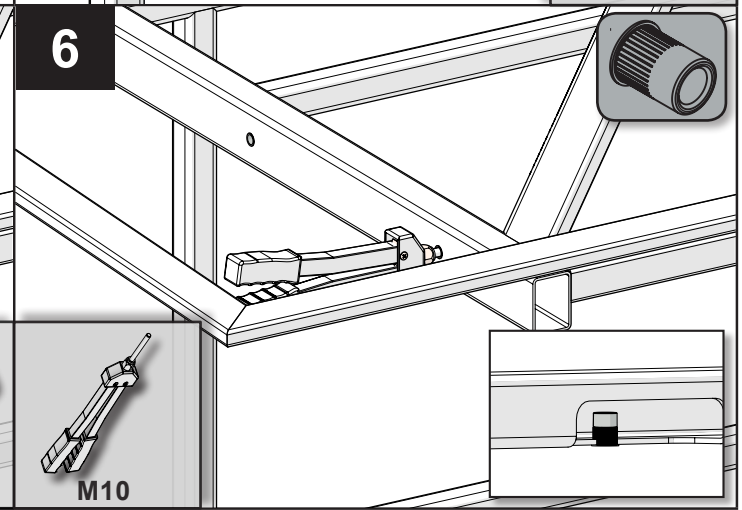
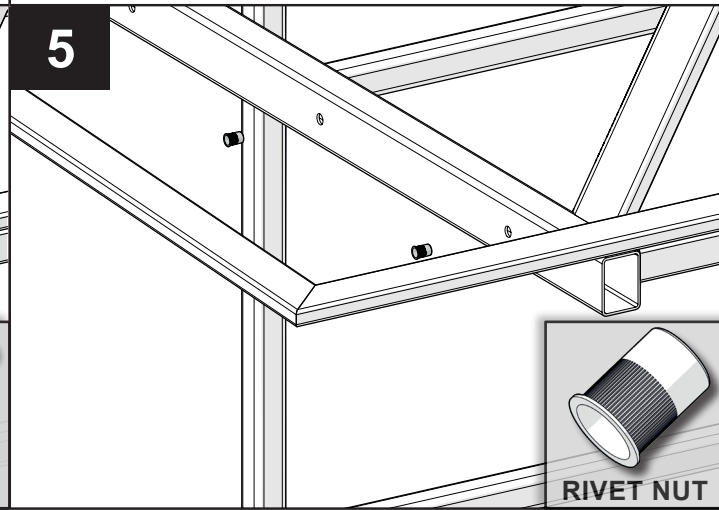
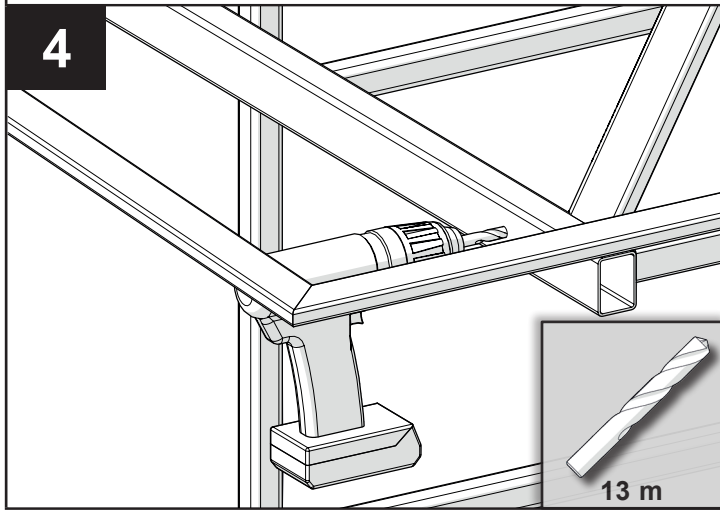
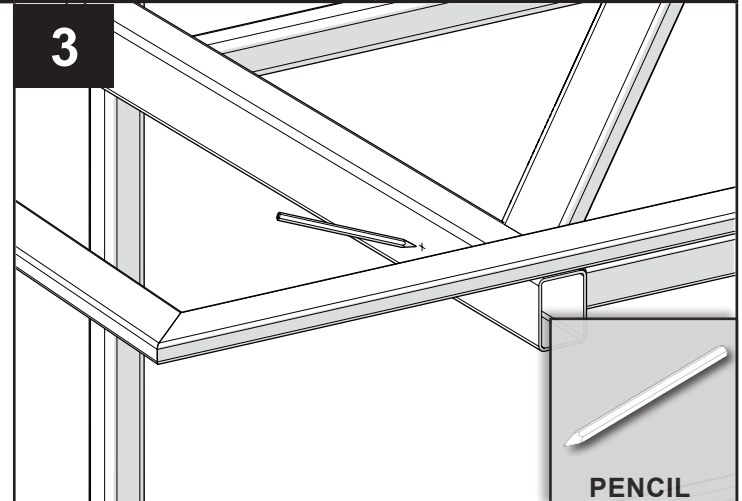
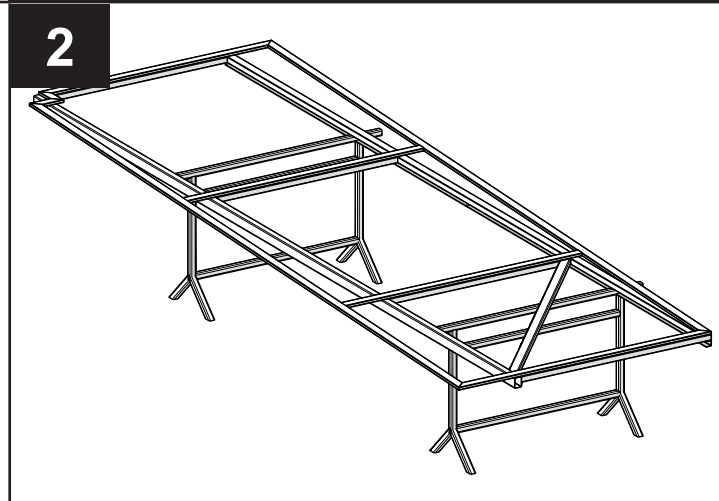
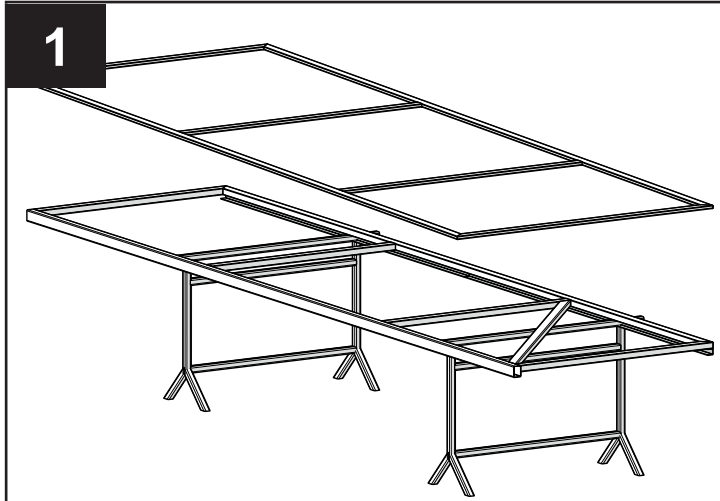
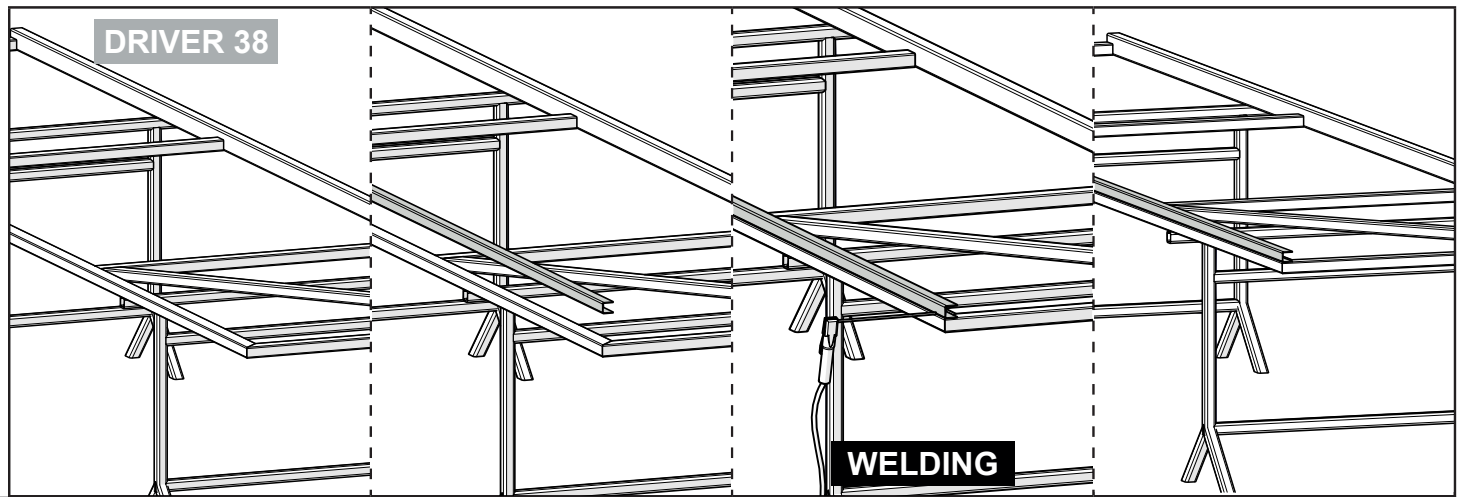


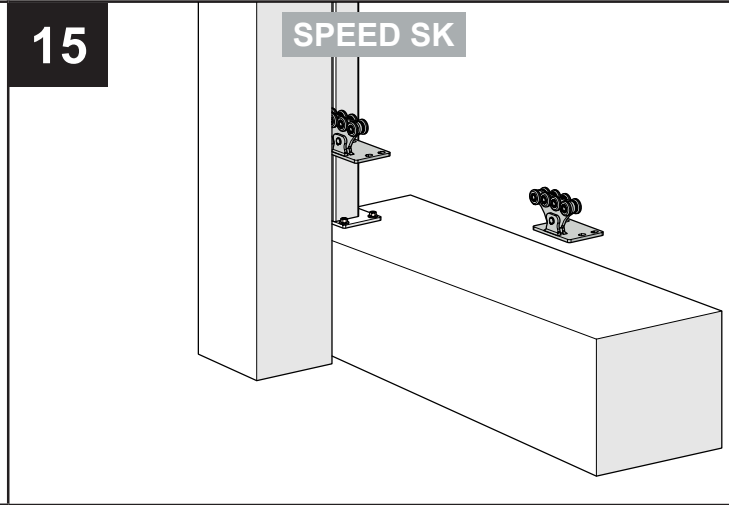
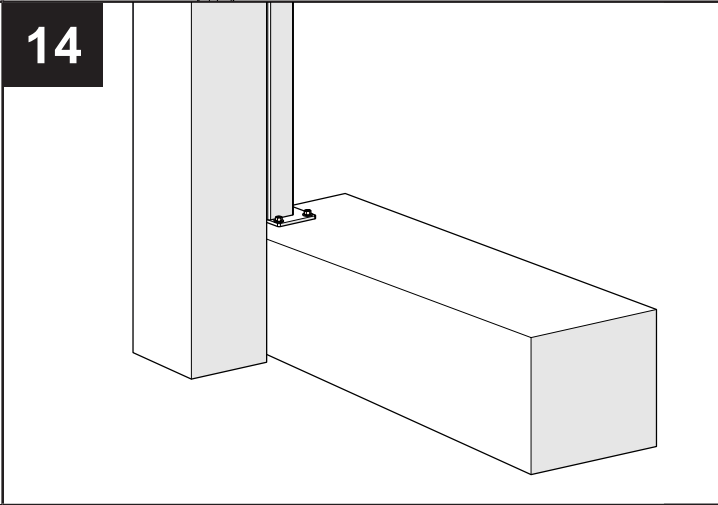
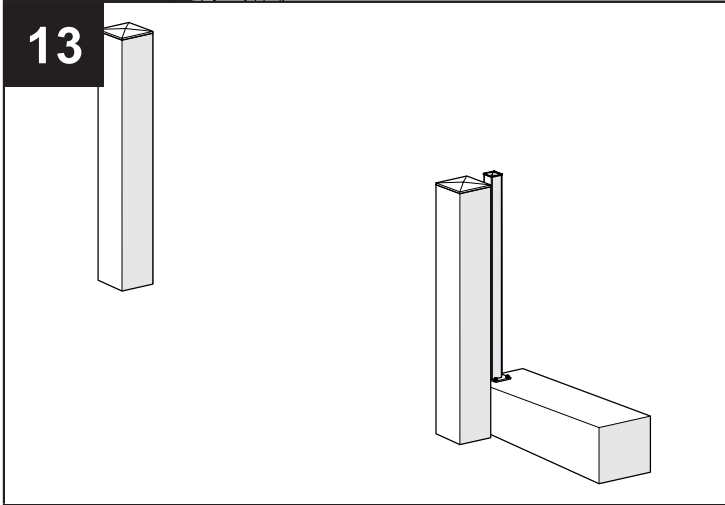
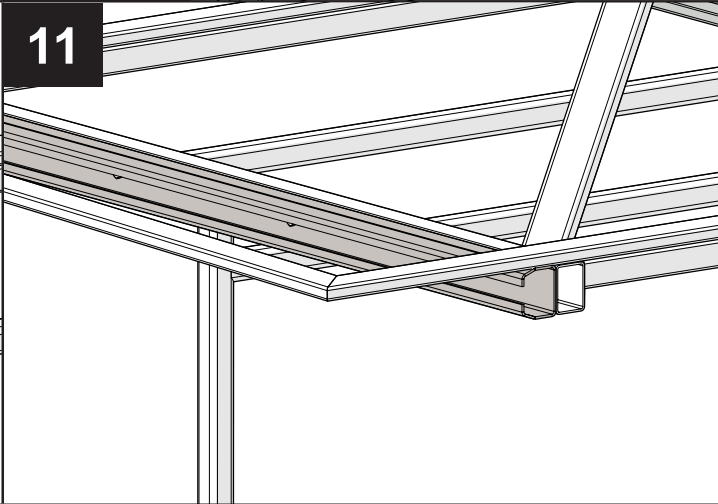
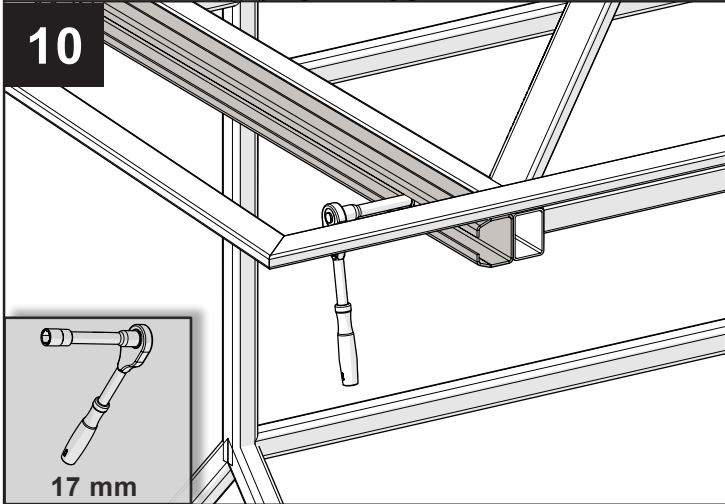
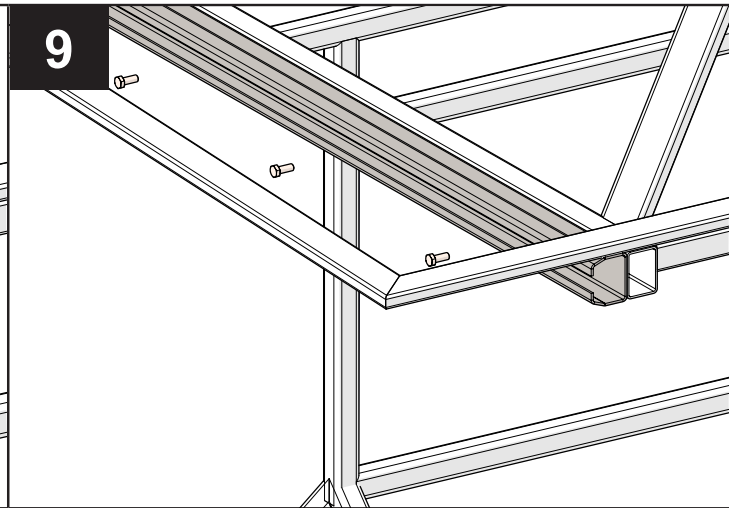
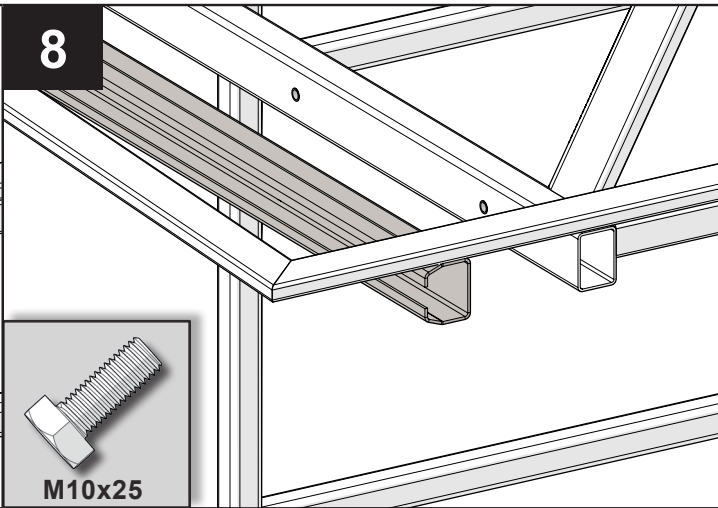
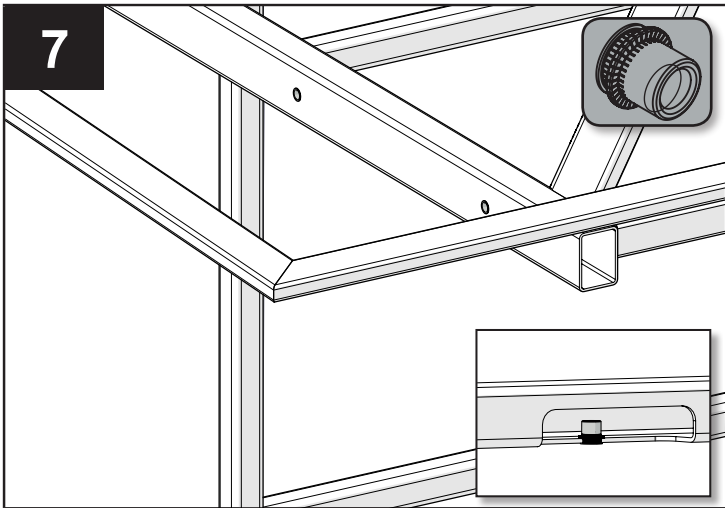
-  SUITABLE FOR INCLINED SURFACE INSTALLATION
-  EASY ASSEMBLY
-  FAST NO WELDING REQUIRED
-  15 BOLTS  
15 RIVET NUTS INCLUDED (\*)
-  «C» TRACK SERIAL NO. N°239892  
100% COMPATIBILITY CARRIAGE TESTED
-  GERMAN STEEL
-  270 g/m<sup>2</sup> HOT DIPPED GALVANIZED
-  ARROW STRAIGHT «C» TRACK
-  SLOTTED HOLE PUNCHED EVERY 400mm IN TRACK
-  GALVANIZED INTERNAL EDGES
-  ASYMMETRIC EIGHT WHEELED CARRIAGE
-  C 2 HIGH QUALITY BEARINGS
-  CARRIAGES CENTER HOLES MILLED NOT LASER CUT
-  MULTI RIVETED SECTIONS
-  JPN JAPANESE ROBOTICS FANUC
-  R&D UNIVERSITY OF TECHNOLOGY – BRNO
-  - 37°C TESTED & PROVEN
-  + 50°C TESTED & PROVEN
-  CZ MADE IN CZECH REPUBLIC
-  NO WELDING REQUIRED



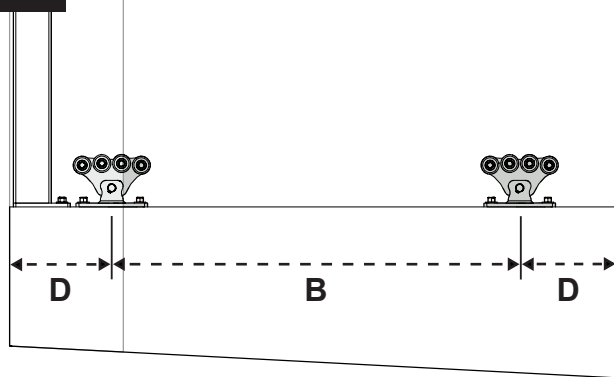
(\*) ONLY SETS



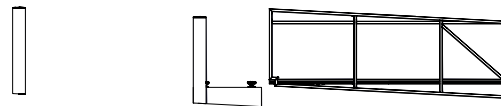




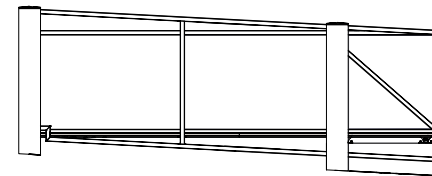
16



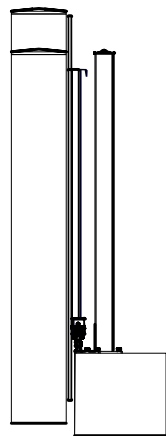
17



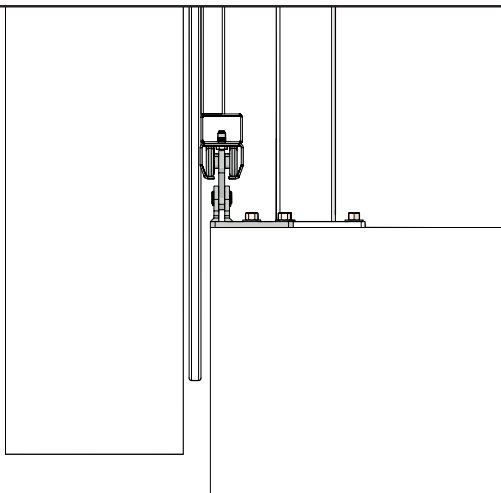
18



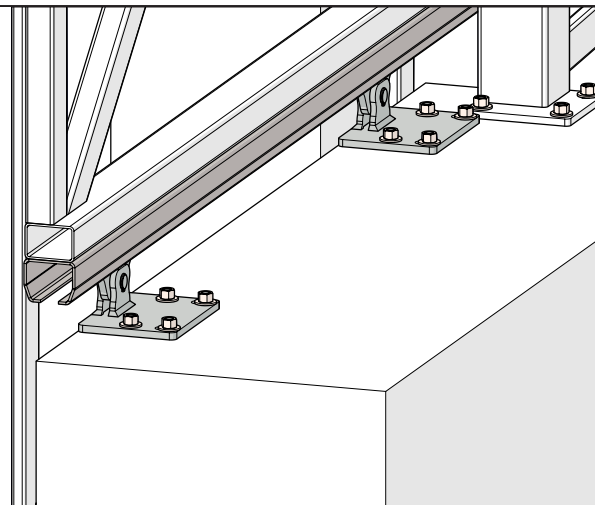
19



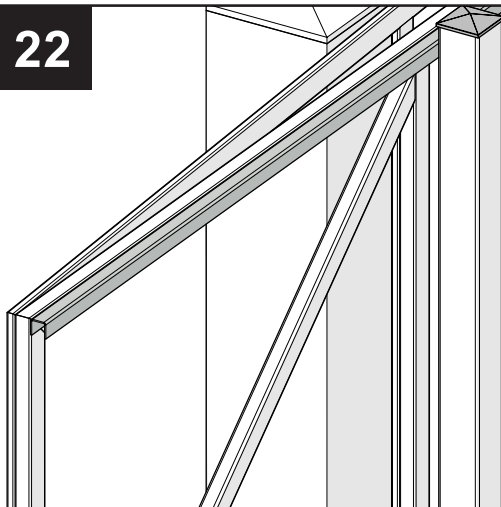
20



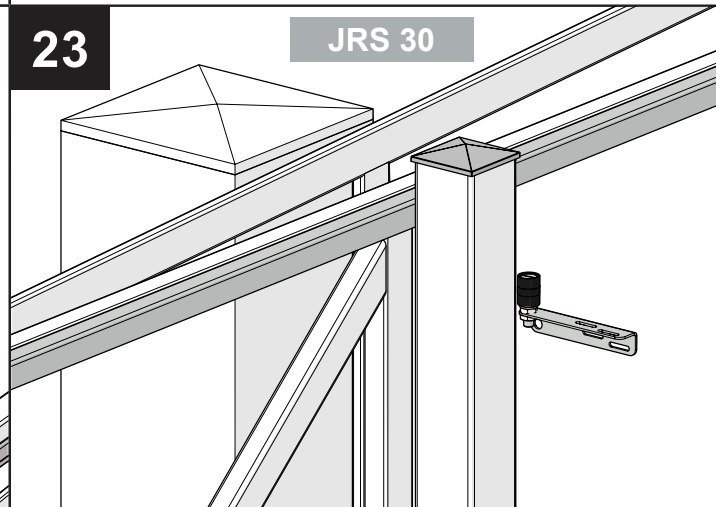
21



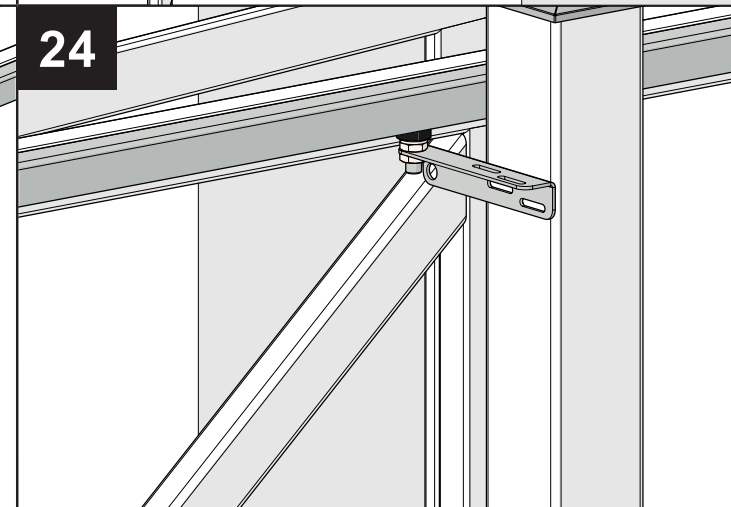
22

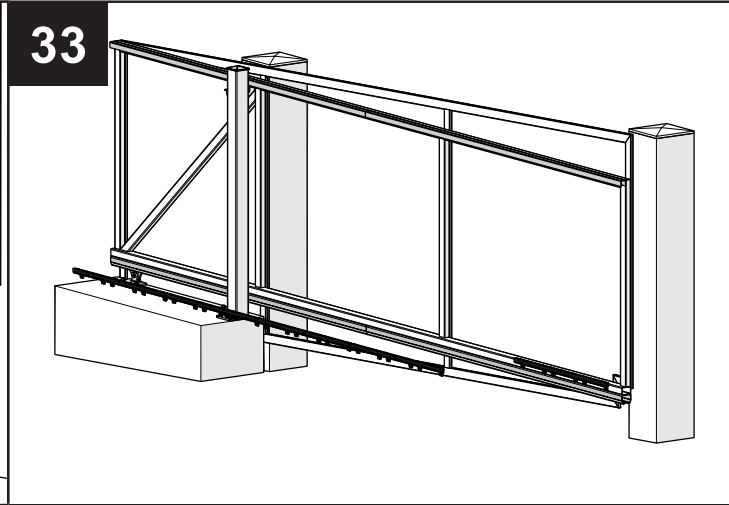
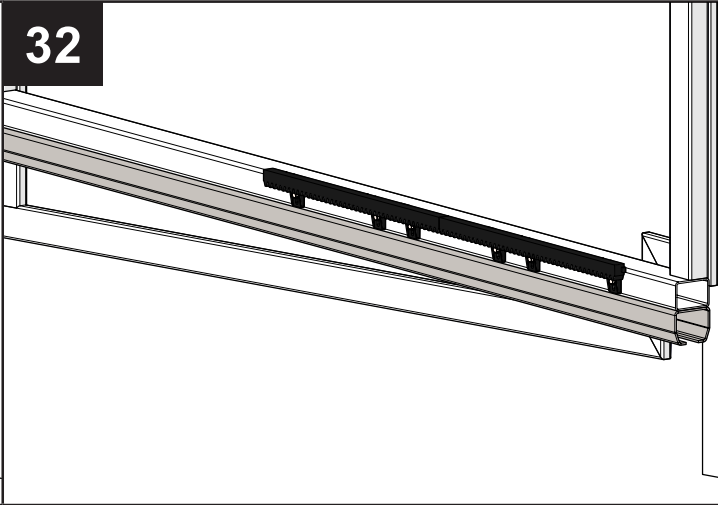
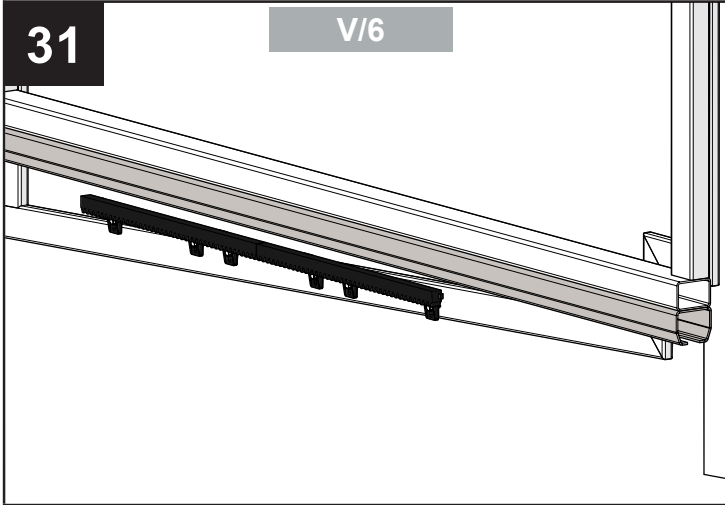
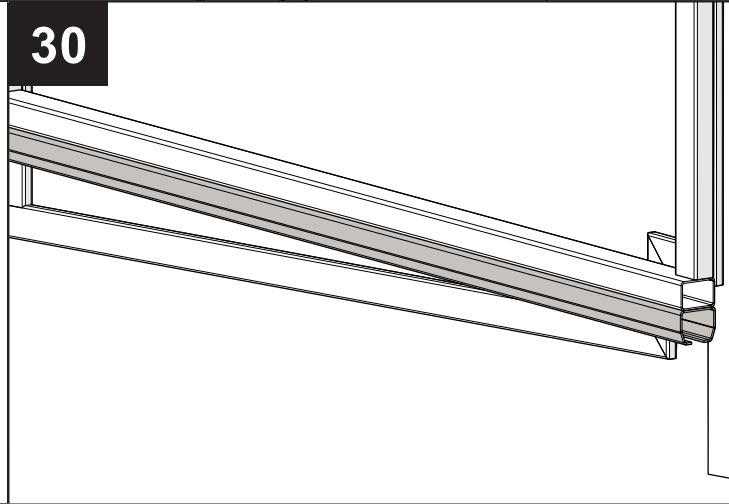
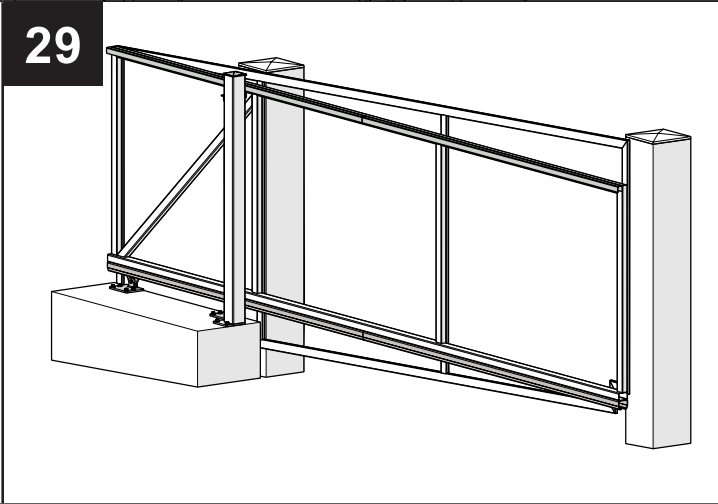
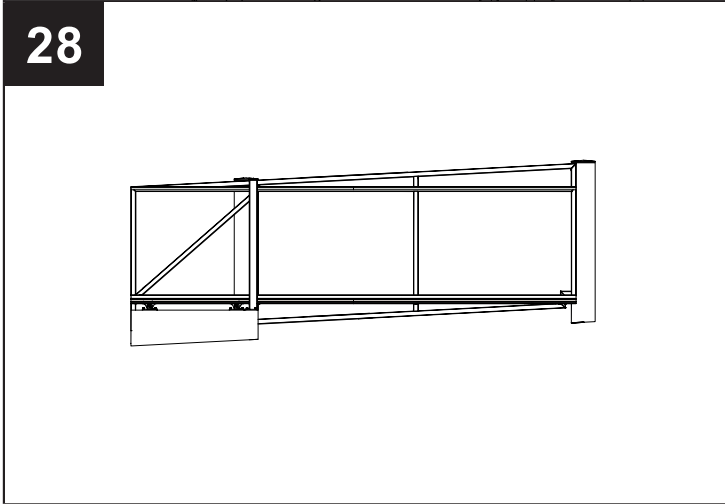
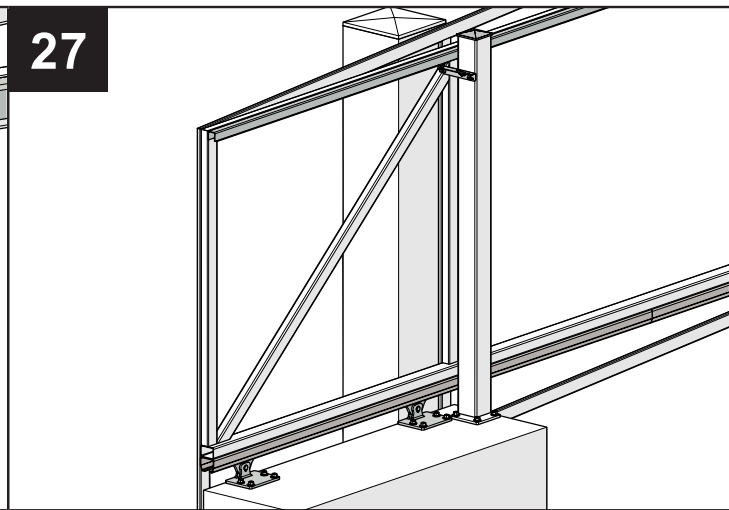
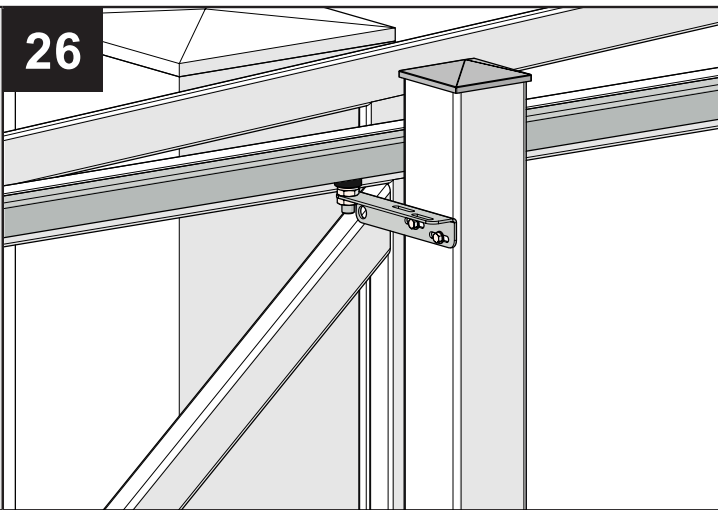
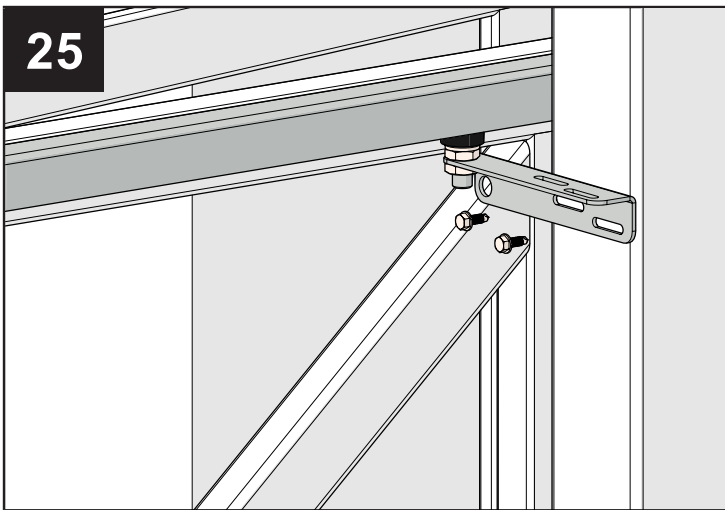


23



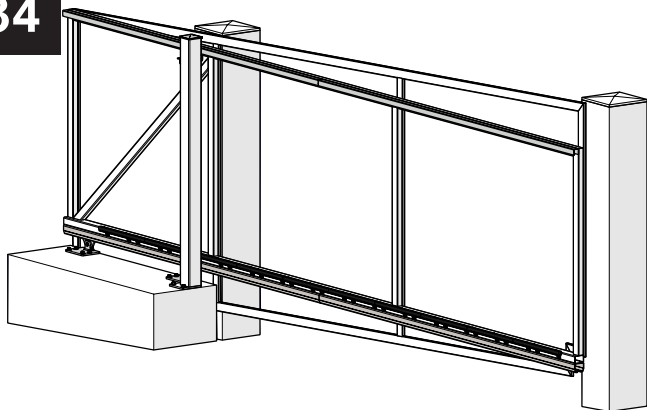
24



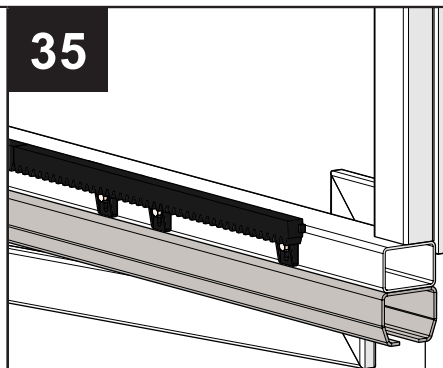




34

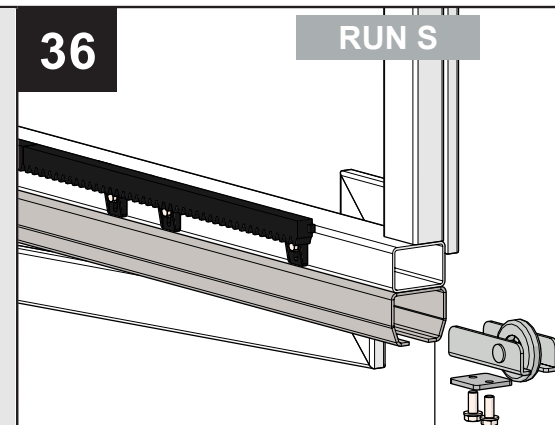


35

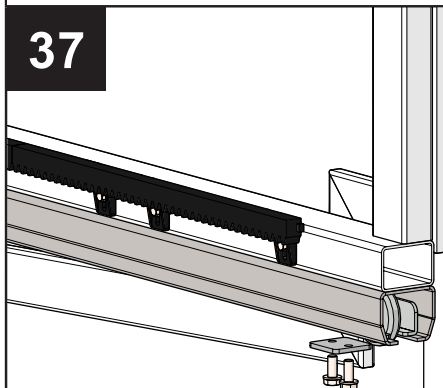


36

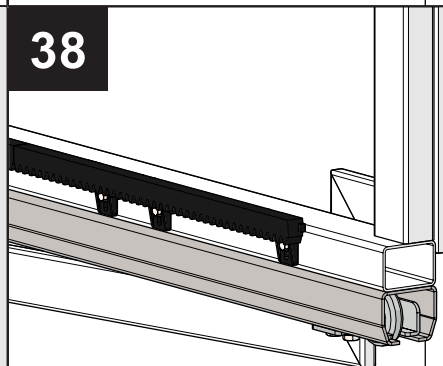
RUN S



37

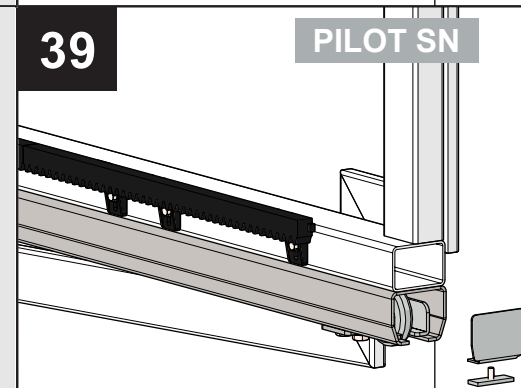


38

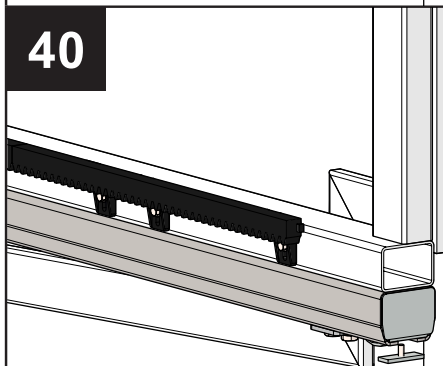


39

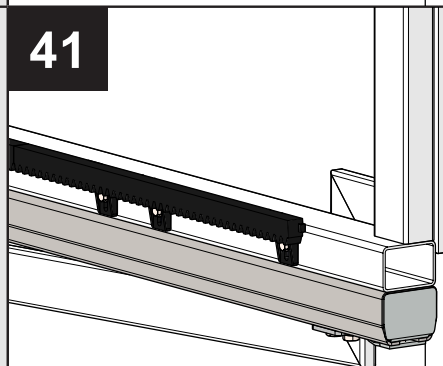
PILOT SN



40

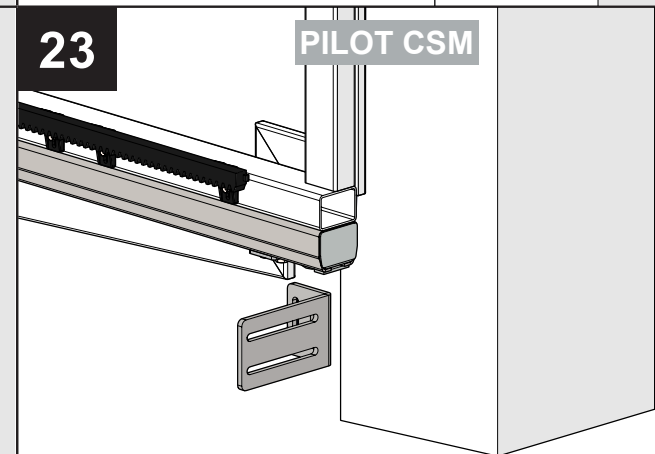


41

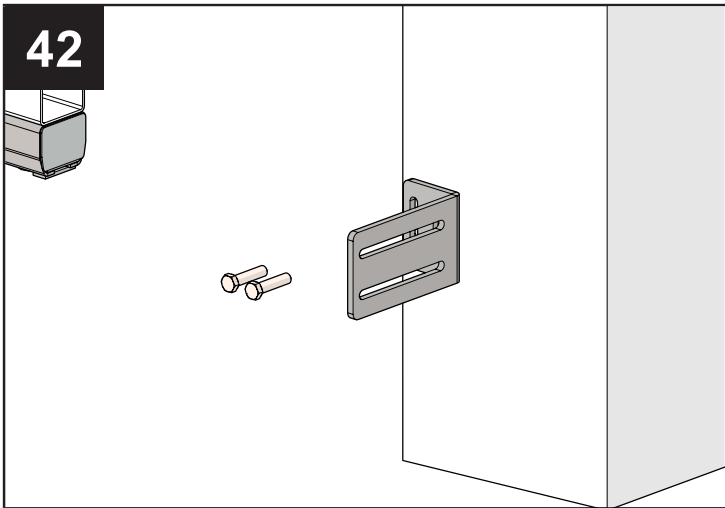


23

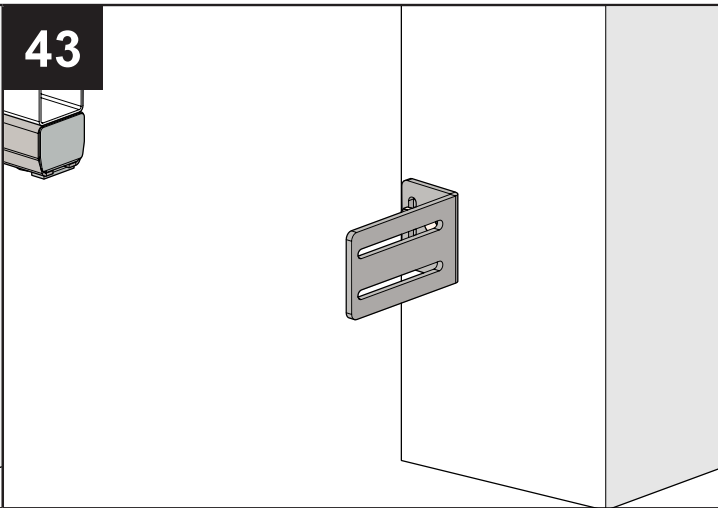
PILOT CSM



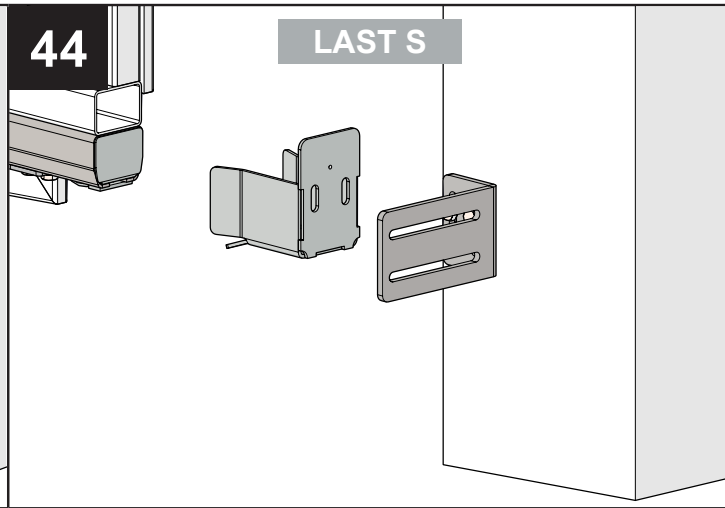
42



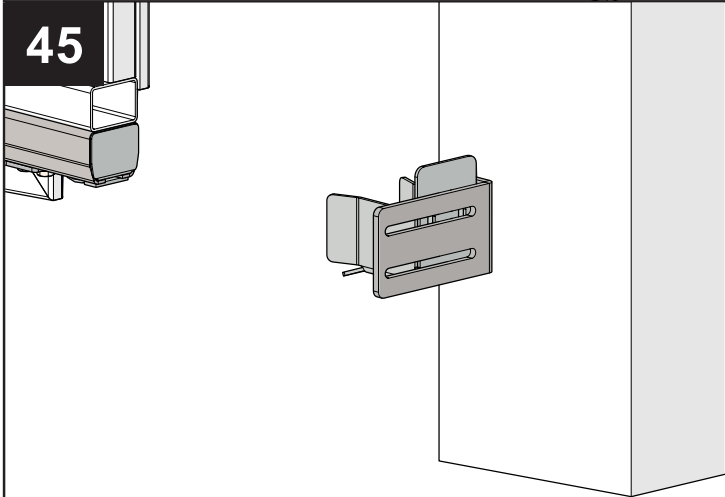
43



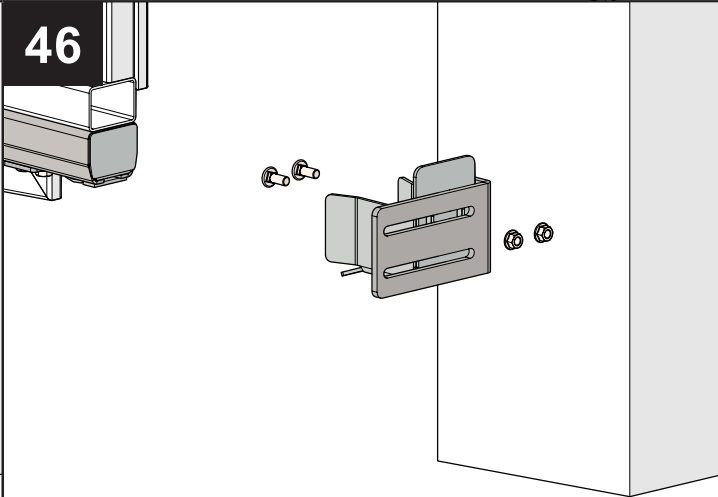
44



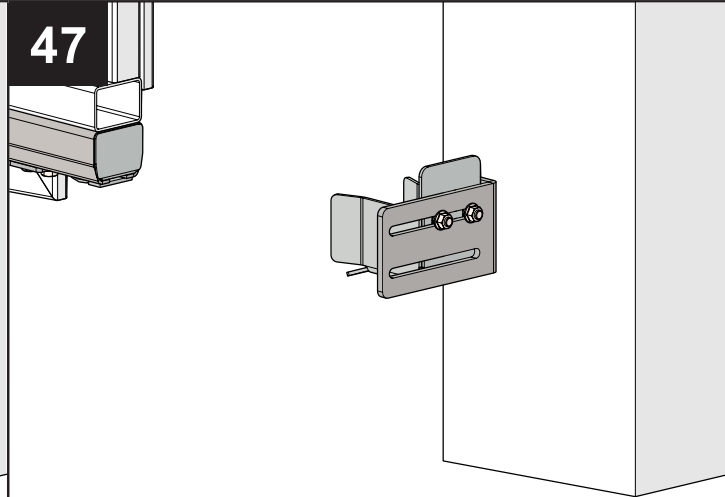
45



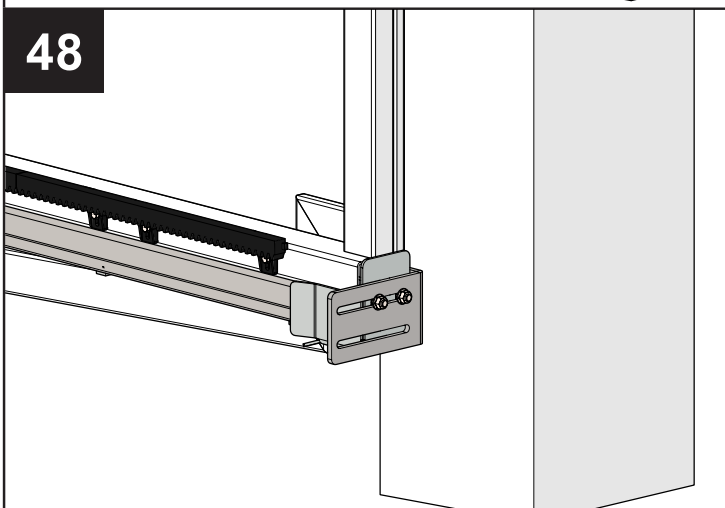
46



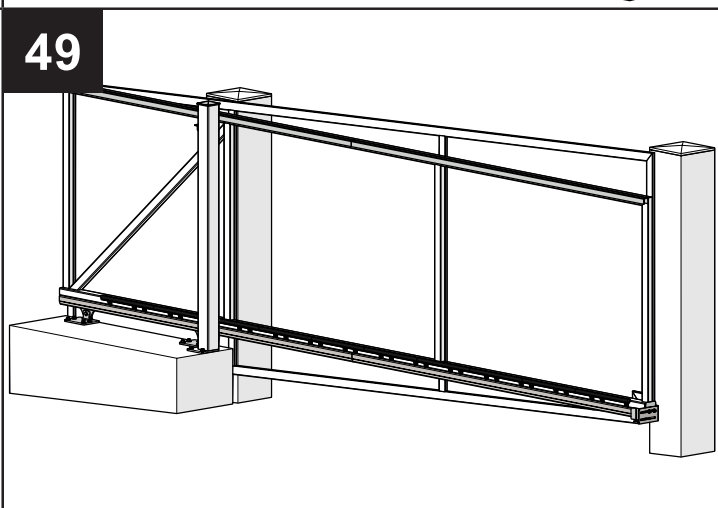
47



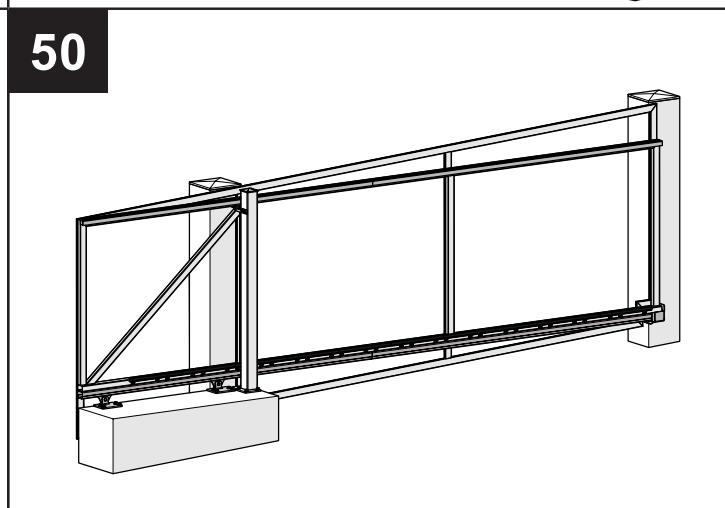
48



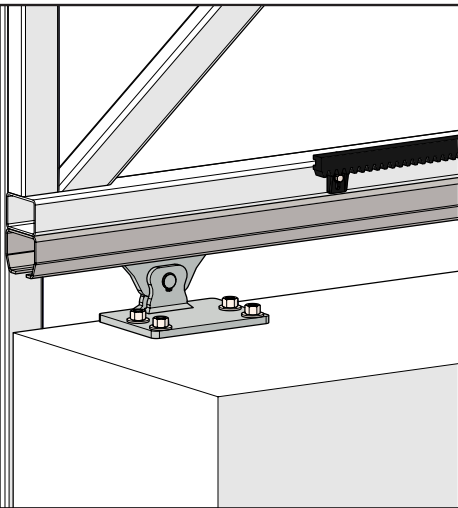
49



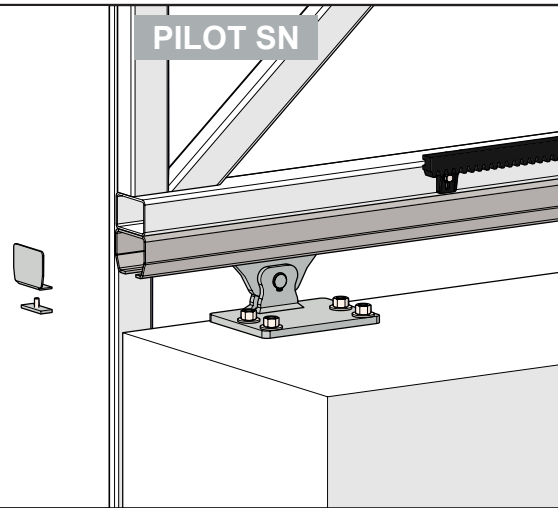
50



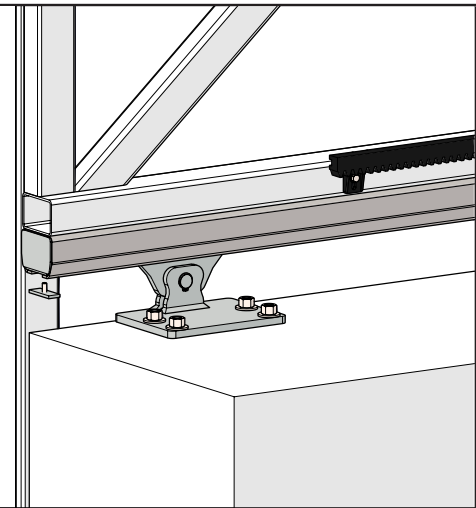
51



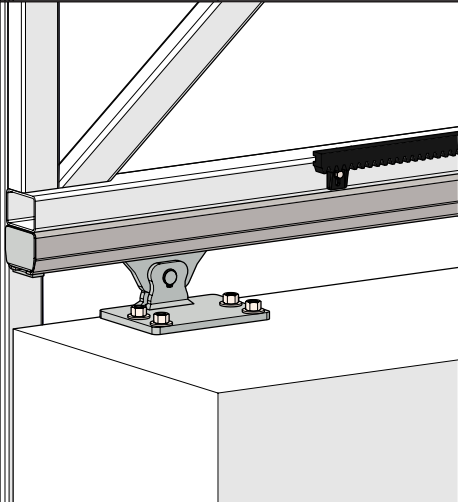
52



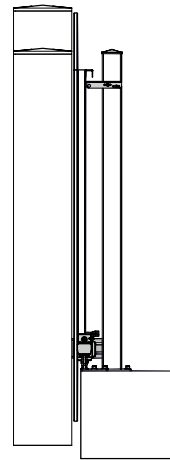
53



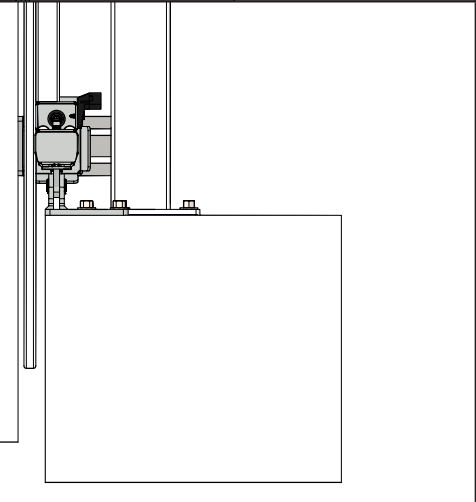
54



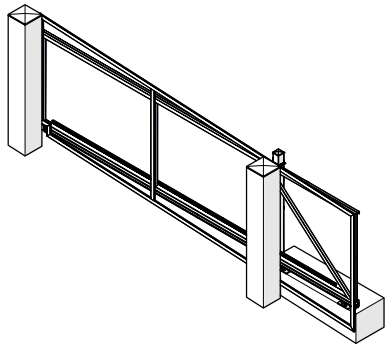
55



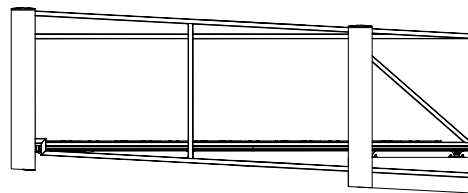
56



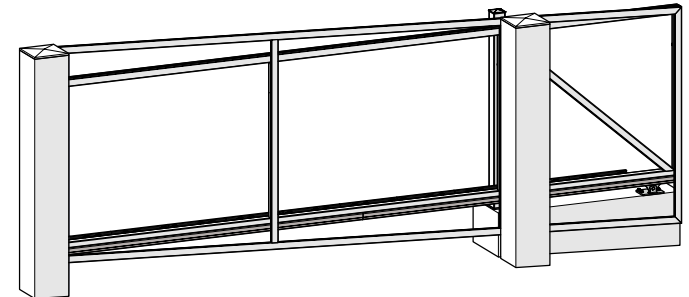
57

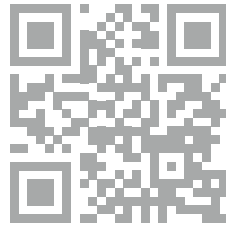


58



59





[www.cais.eu](http://www.cais.eu)