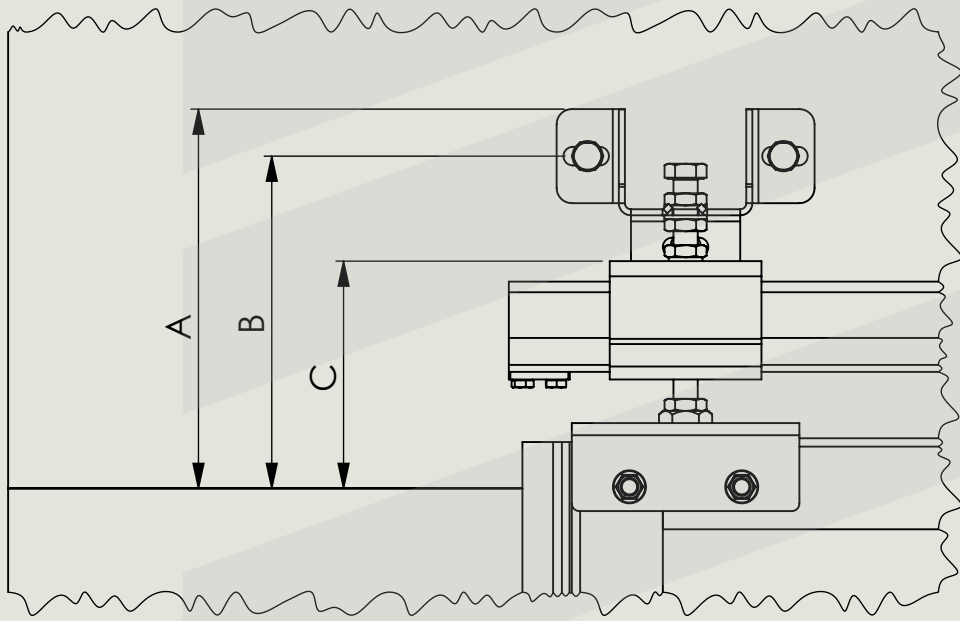




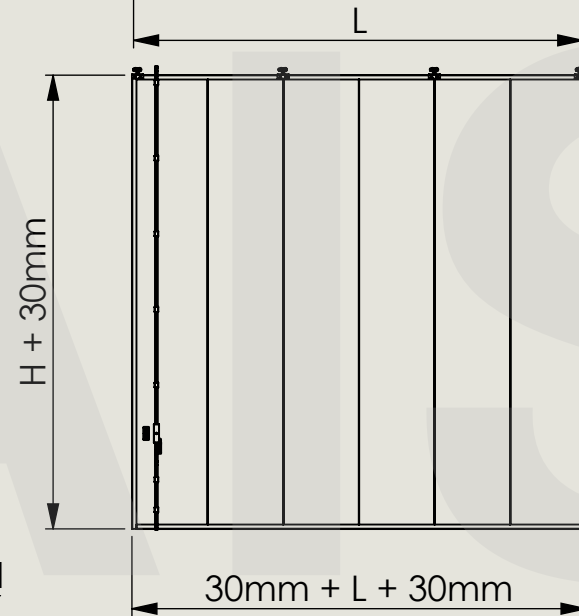
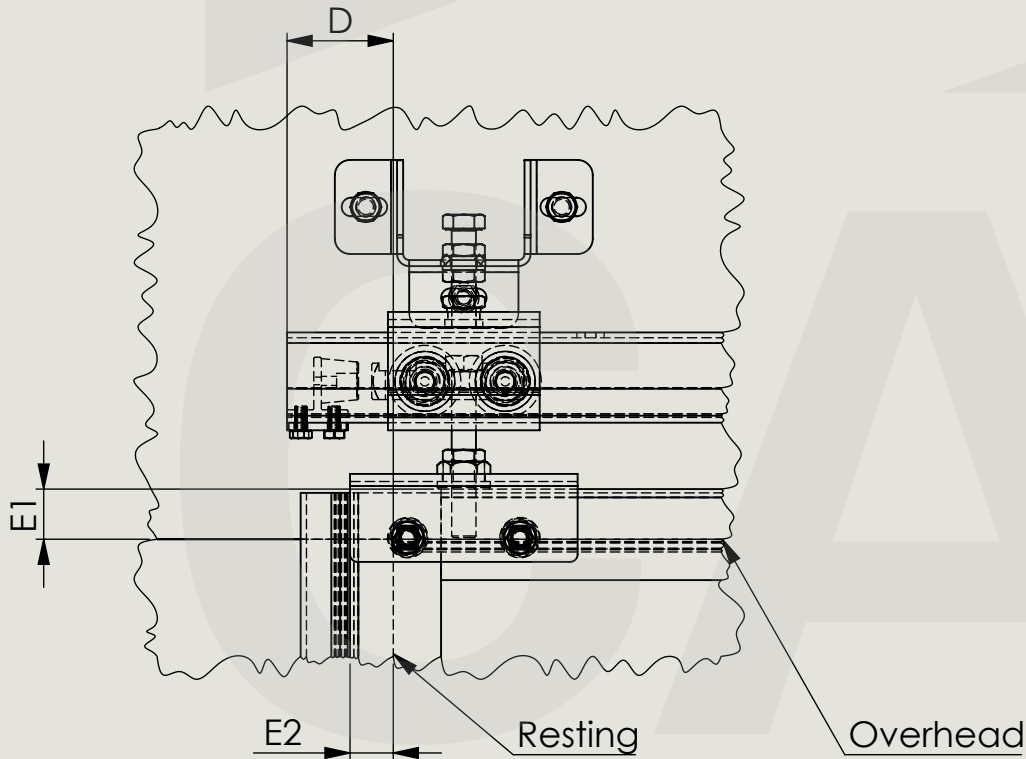
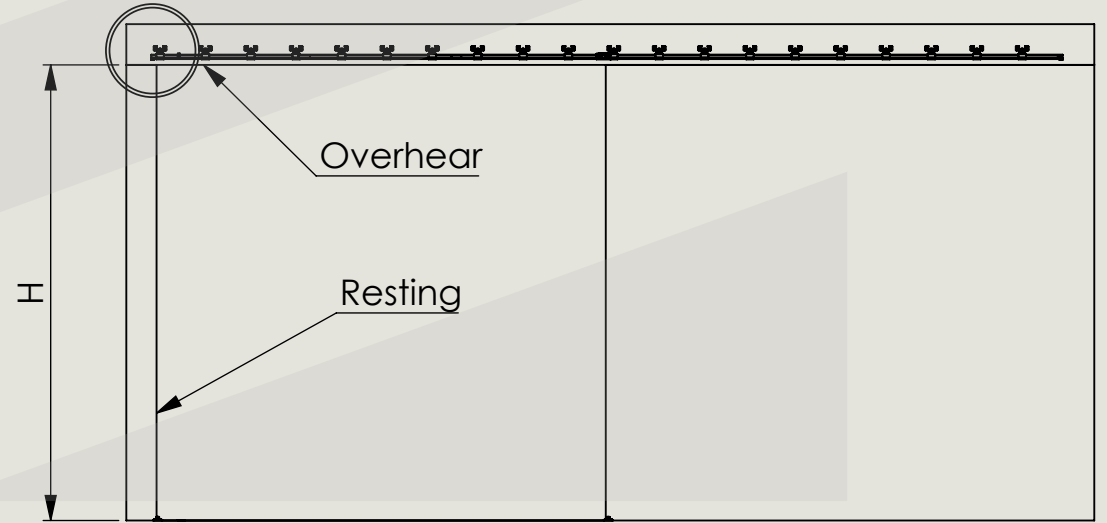
NEW 

 **HANGAR SET 6.6**

SLIDING DOOR HARDWARE



A		B		C		D	E1	E2
mm								
250		225		165		70	30	30
min.	max.	min.	max.	min.	max.			
220	280	195	255	135	195			



HANGAR 6.6	
SPEED C	4 pcs
STAGE SZ 6	2 pcs
STAGE SZ 1	1 pc
DF 190	2 pcs
DC 70	21 pcs
KHL 140	21 pcs
FINISH S	2 pcs
MCD 60/6	4 pcs
AD 150	4 pcs
MS 40	1 pc
KL 70	1 pc
TL 30	1 pc
TL 40	1 pc
TL 70	7 pcs
TL 90	1 pc
RS 40	4 pcs
CODE: 1710904	WEIGHT: 170 kg

HANGAR 4.4	
SPEED C	3 pcs
STAGE SZ 4	2 pcs
STAGE SZ 1	1 pc
DF 190	2 pcs
DC 70	15 pcs
KHL 140	15 pcs
FINISH S	2 pcs
MCD 60/4	4 pcs
AD 150	3 pcs
MS 40	1 pc
KL 70	1 pc
TL 30	1 pc
TL 40	1 pc
TL 70	6 pcs
TL 90	1 pc
RS 40	4 pcs
CODE: 1710905	WEIGHT: 126 kg

HANGAR 2.2	
SPEED C	2 pcs
STAGE SZ 2,8	2 pcs
DF 190	1 pc
DC 70	10 pcs
KHL 140	10 pcs
FINISH S	2 pcs
MCD 60/4	2 pcs
AD 150	2 pcs
MS 40	1 pc
KL 70	1 pc
TL 30	1 pc
TL 40	1 pc
TL 70	5 pcs
TL 90	1 pc
RS 40	4 pcs
CODE: 1710906	WEIGHT: 68 kg

BRUSH 6.6	
BD 25/2	3 pcs
BD 35/2	9 pcs
BD 45/2	3 pcs
AD 25/2	9 pcs
AS 25/2	3 pcs
AR 25/2	3 pcs
CODE: 1710907	WEIGHT: 9 kg

BRUSH 4.4	
BD 25/2	2 pcs
BD 35/2	6 pcs
BD 45/2	2 pcs
AD 25/2	6 pcs
AS 25/2	2 pcs
AR 25/2	2 pcs
CODE: 1710908	WEIGHT: 6,5 kg

BRUSH 2.2	
BD 25/2	1 pc
BD 35/2	3 pcs
BD 45/2	1 pc
AD 25/2	3 pcs
AS 25/2	1 pc
AR 25/2	1 pc
CODE: 1710909	WEIGHT: 3,5 kg

COMPONENTS & DIMENSIONS									6 m / 960 kg
CARRIAGE	GUIDE	SUPPORT	NUMBER SUPPORT	NUMBER GARIAGE	NUMBER SUPRORT	LENGHT WING	DISTANCE BETWEEN SUPPORT	MAX. CAPACITY WING TO 6000 mm	
			DC 70/KHL	SPEED C	AD 150	L	A	kg	
SPEED C	STAGE SZ	DC 70/KHL	14	4	4	6000	500	1200	
SPEED C	STAGE SZ	DC 70/KHL	11	4	4	6000	650	960	

COMPONENTS & DIMENSIONS									4 m / 640 kg
CARRIAGE	GUIDE	SUPPORT	NUMBER SUPPORT	NUMBER GARIAGE	NUMBER SUPRORT	LENGHT WING	DISTANCE BETWEEN SUPPORT	MAX. CAPACITY WING TO 4000 mm	
			DC 70/KHL	SPEED C	AD 150	L	A	kg	
SPEED C	STAGE SZ	DC 70/KHL	10	3	3	4000	500	800	
SPEED C	STAGE SZ	DC 70/KHL	8	3	3	4000	650	640	

COMPONENTS & DIMENSIONS									2 m / 320 kg
CARRIAGE	GUIDE	SUPPORT	NUMBER SUPPORT	NUMBER GARIAGE	NUMBER SUPRORT	LENGHT WING	DISTANCE BETWEEN SUPPORT	MAX. CAPACITY WING TO 2000 mm	
			DC 70/KHL	SPEED C	AD 150	L	A	kg	
SPEED C	STAGE SZ	DC 70/KHL	5	2	2	2000	500	400	
SPEED C	STAGE SZ	DC 70/KHL	4	2	2	2000	650	320	

**D** GERMAN STEEL WUPPERMANN

**INT EXT** SUITABLE FOR INTERNAL AND EXTERNAL INSTALLATION

**270 g/m<sup>2</sup>** HOT DIPPED GALVANIZED

NO WELDING NEEDED

**46 mm** SLIM LEAF 46 mm

FOR INDUSTRIAL USE ONLY

EASY ASSEMBLING

FAST NO WELDING

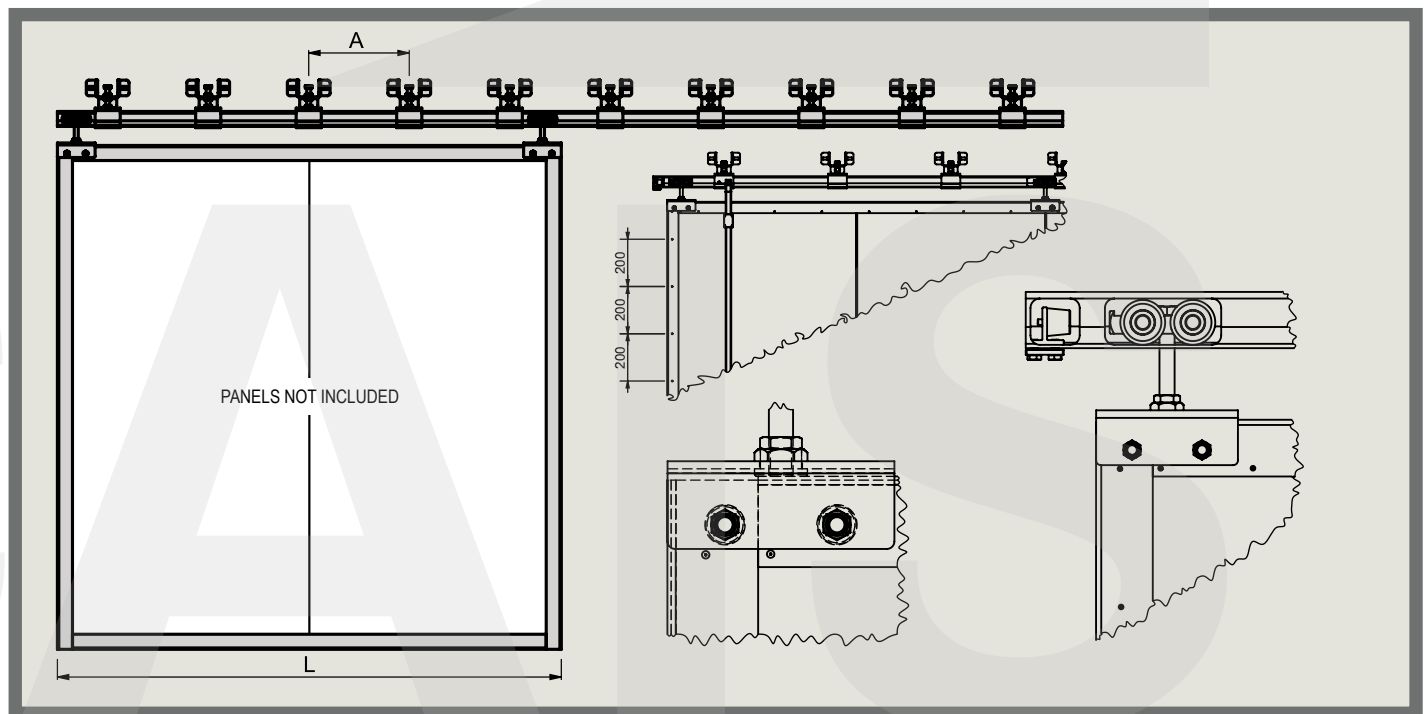
**NO LIMIT** LINEAR INSTALLATION WITHOUT LIMITS

HIGH QUALITY GUARANTEED

+ 50°C TESTED & PROVEN

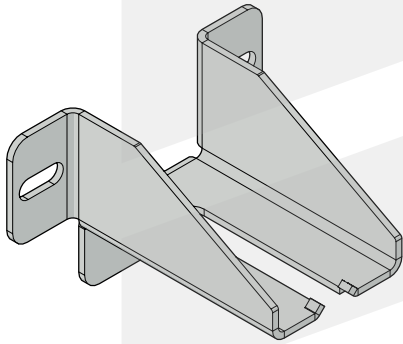
CAIS INNOVATION

- 37°C TESTED & PROVEN

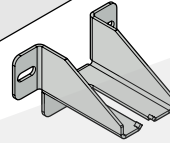


**EASY SET**

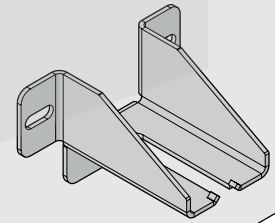
1



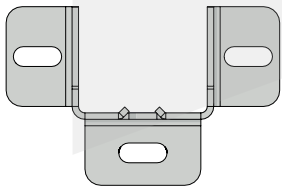
2



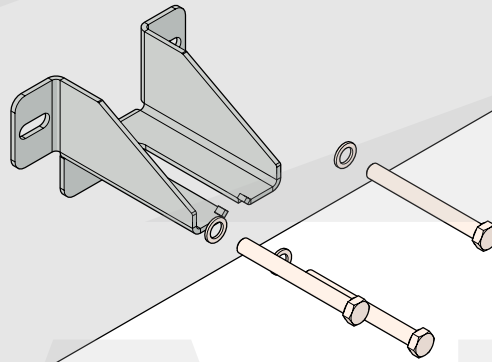
3



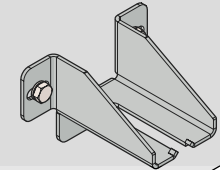
4



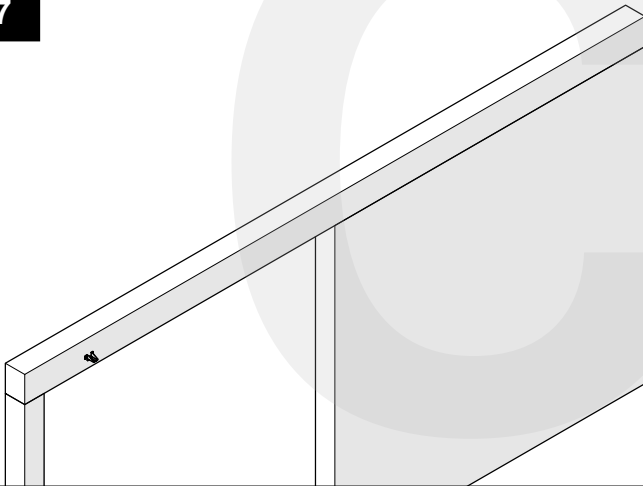
5



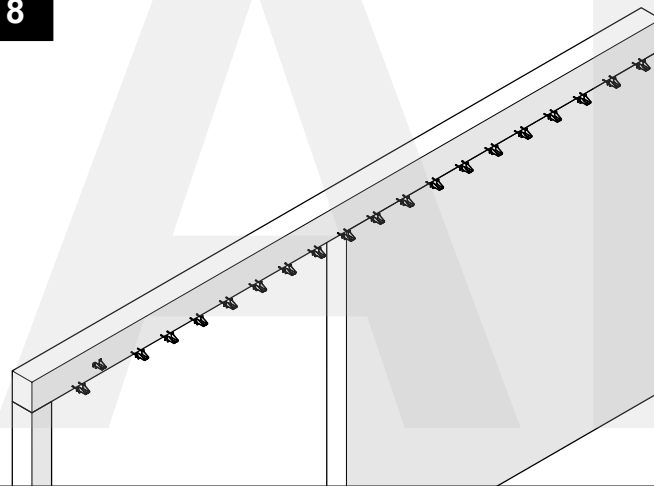
6



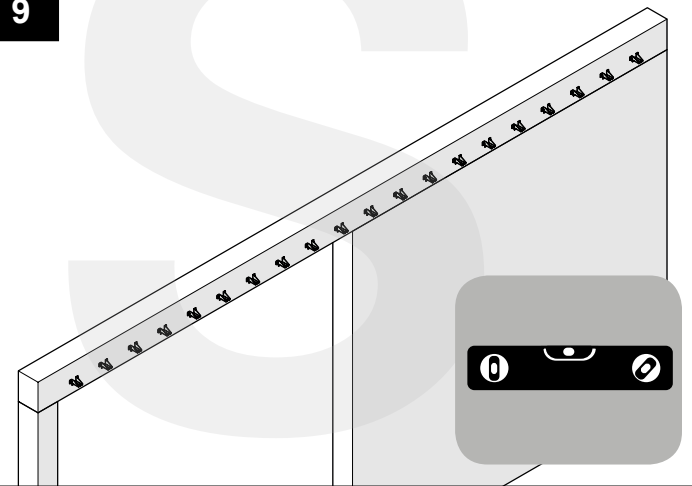
7



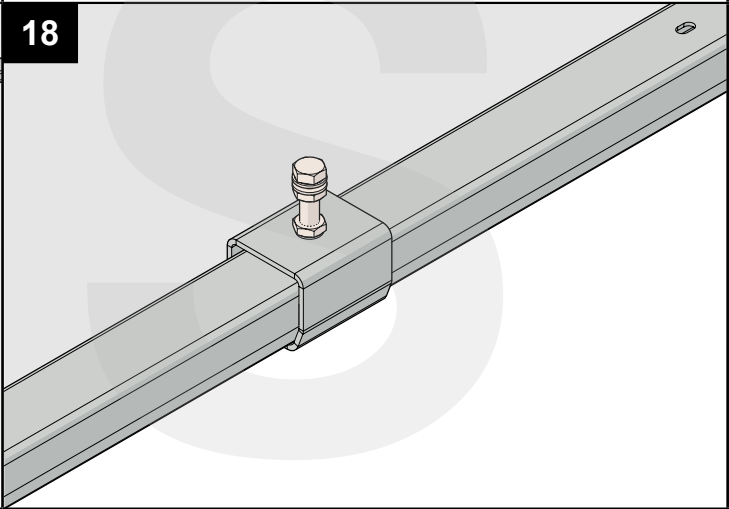
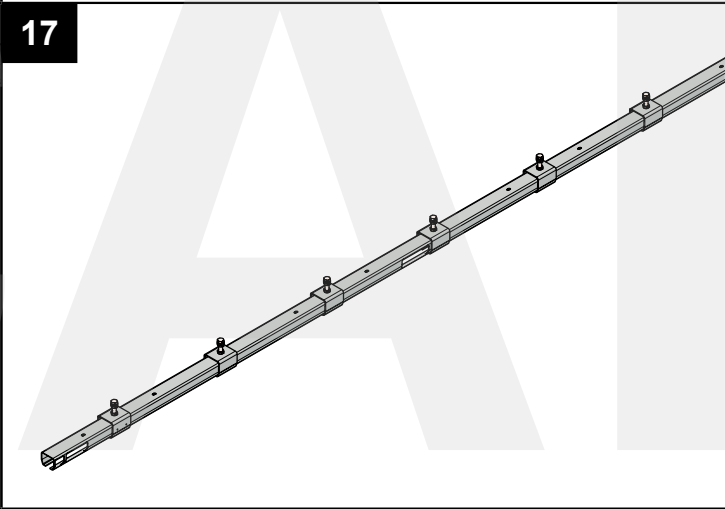
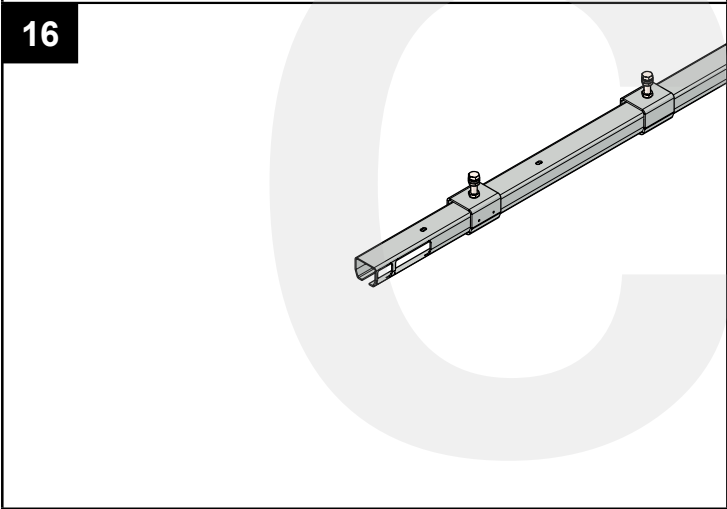
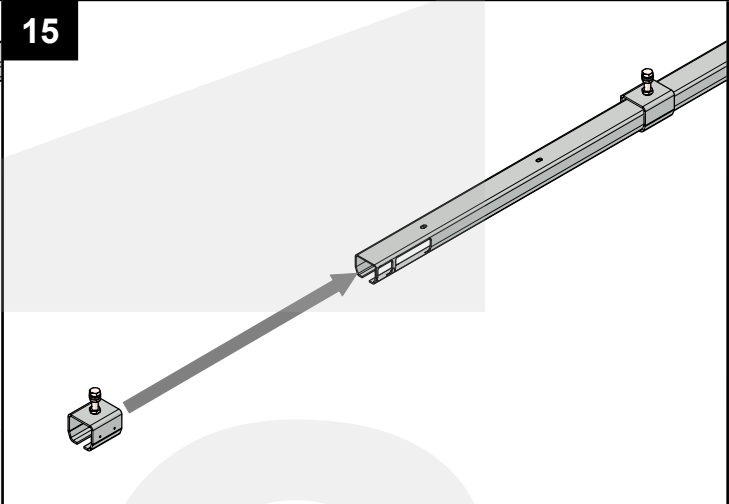
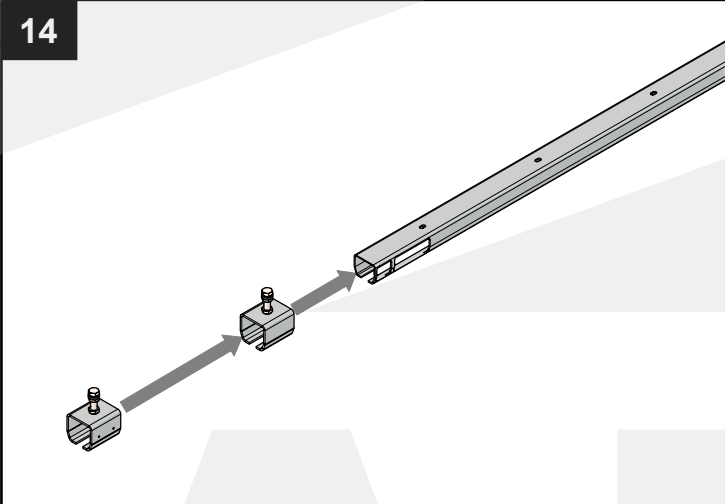
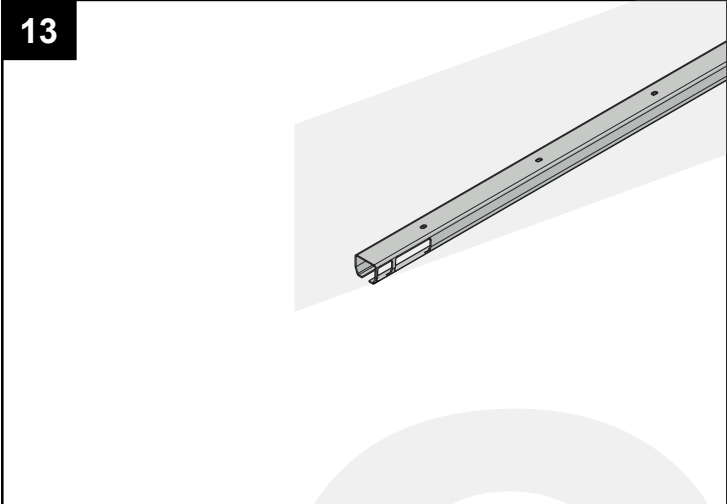
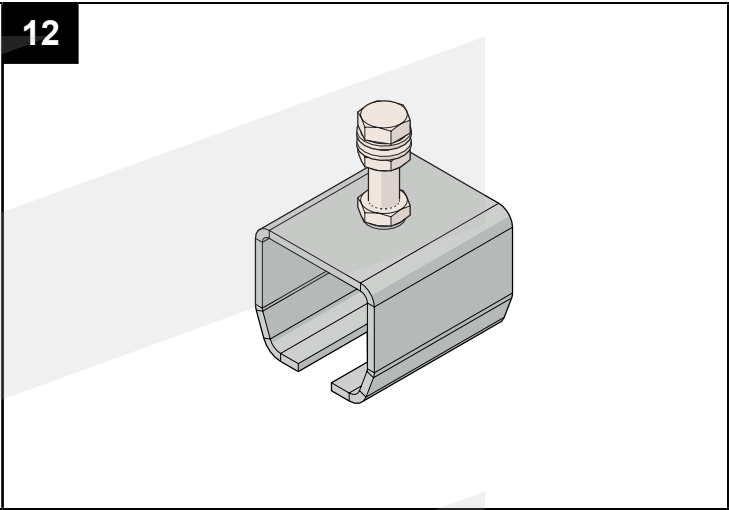
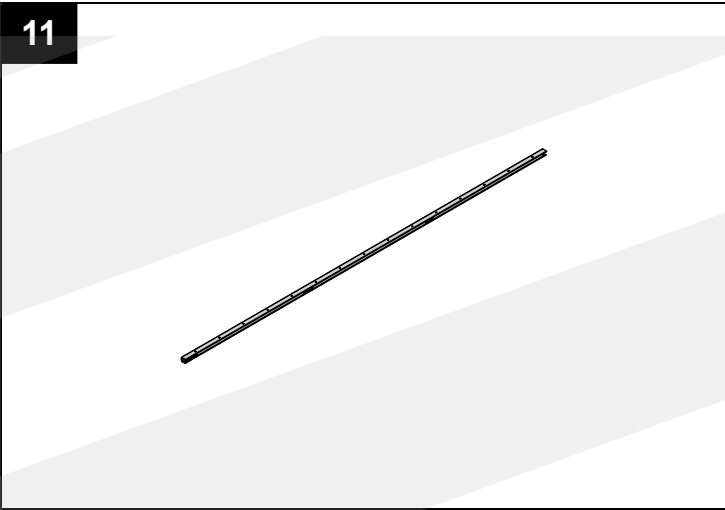
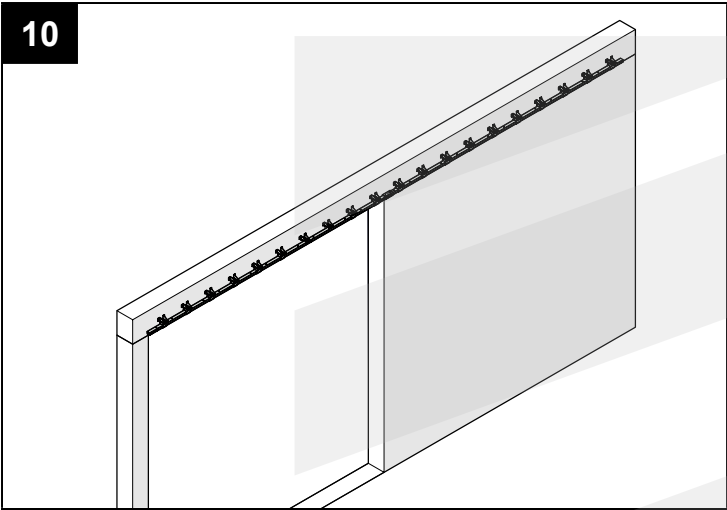
8

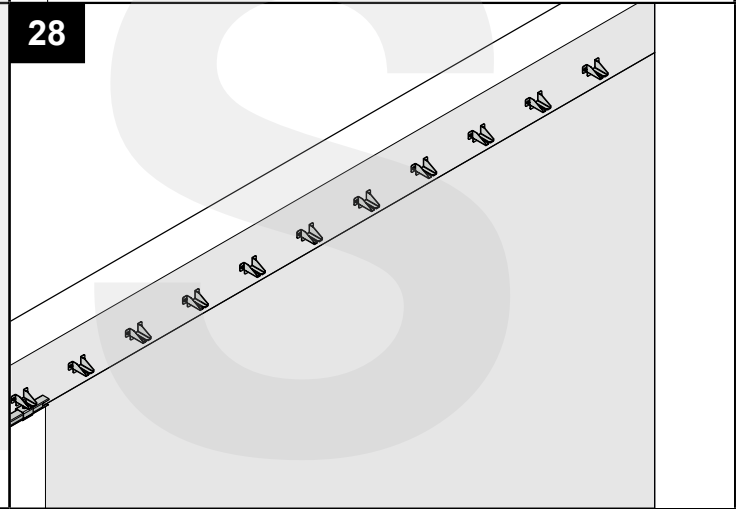
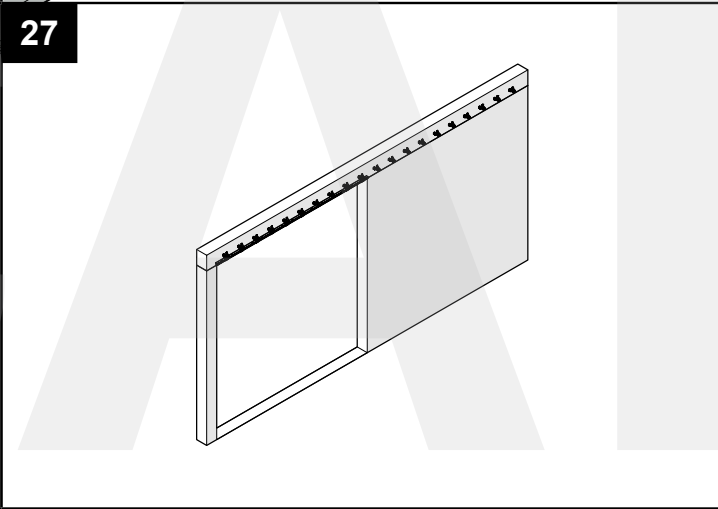
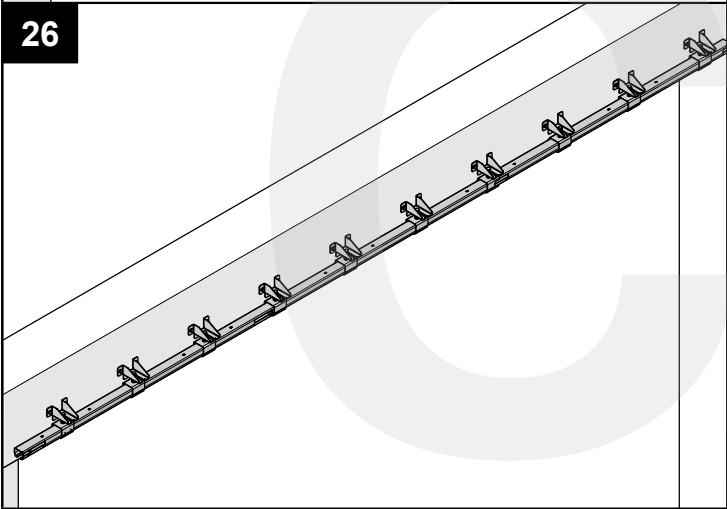
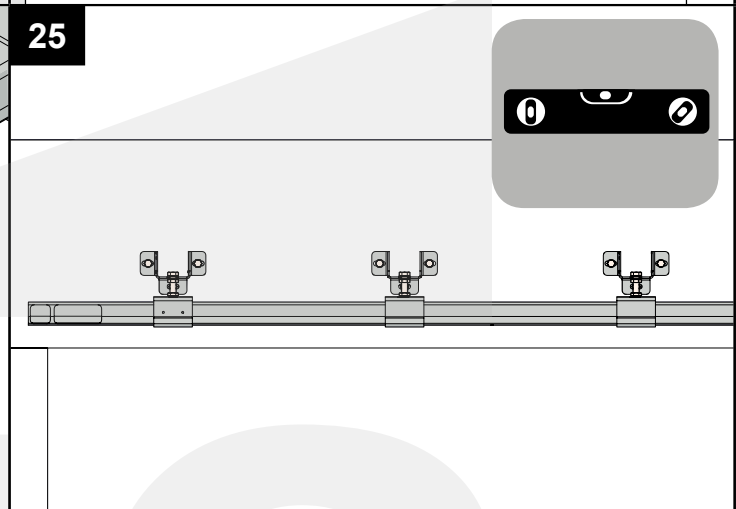
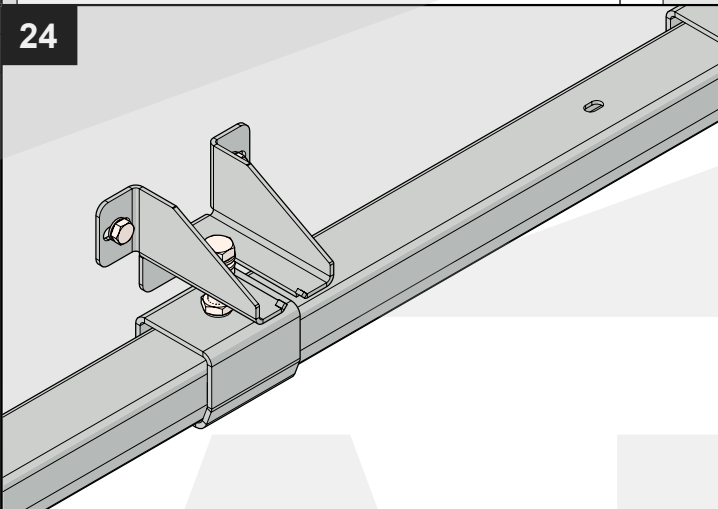
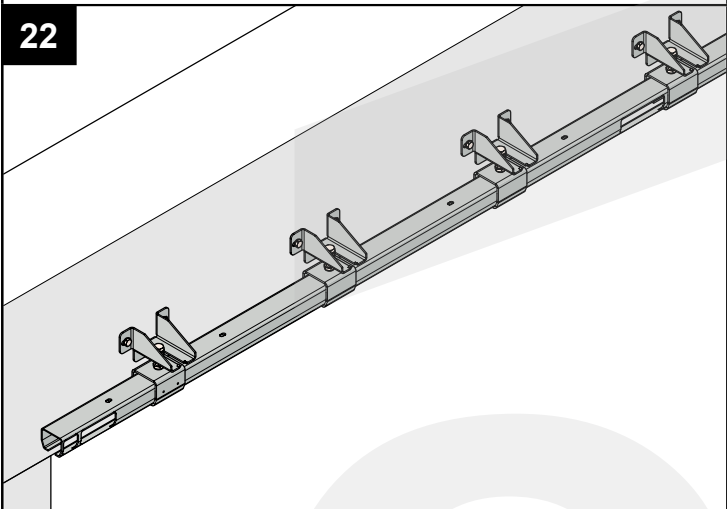
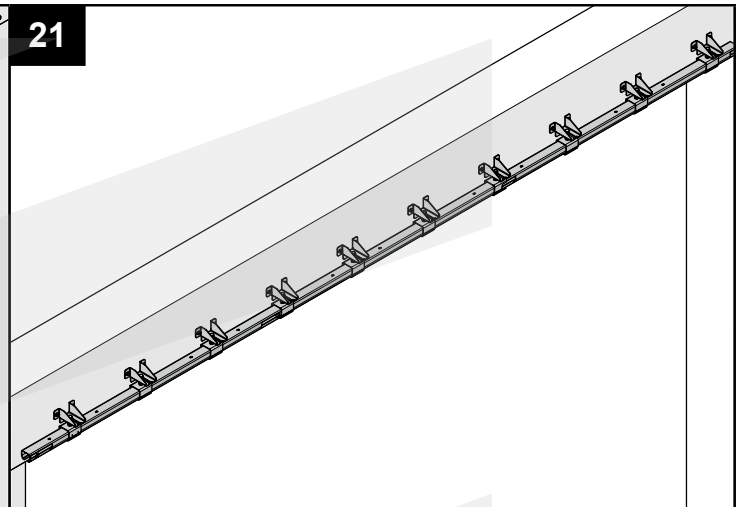
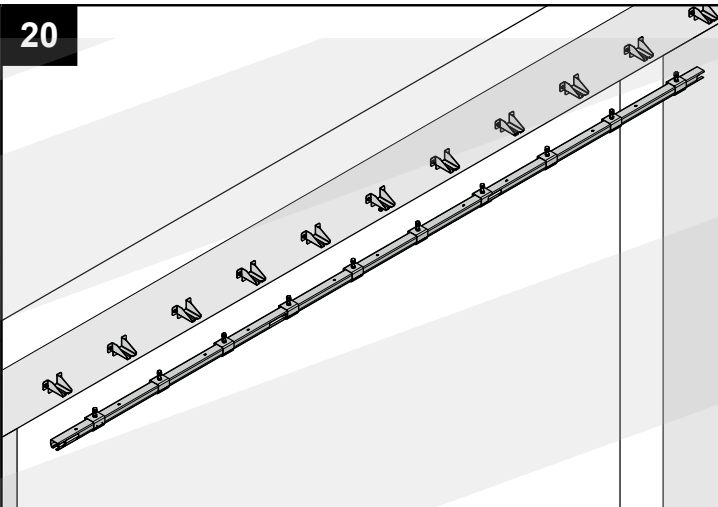
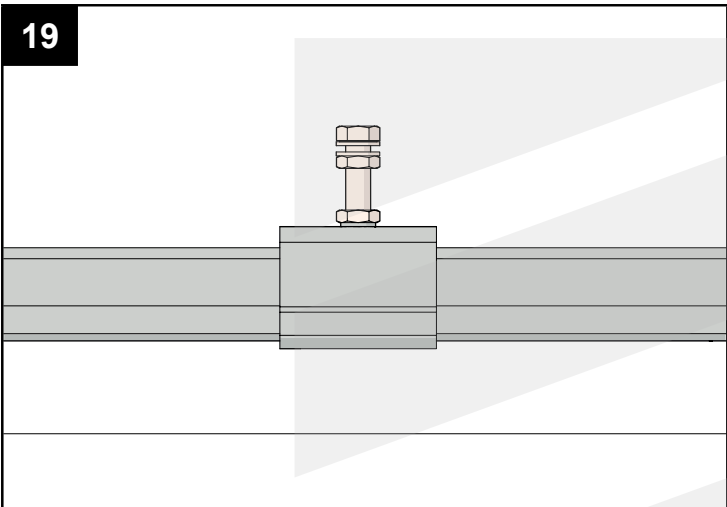


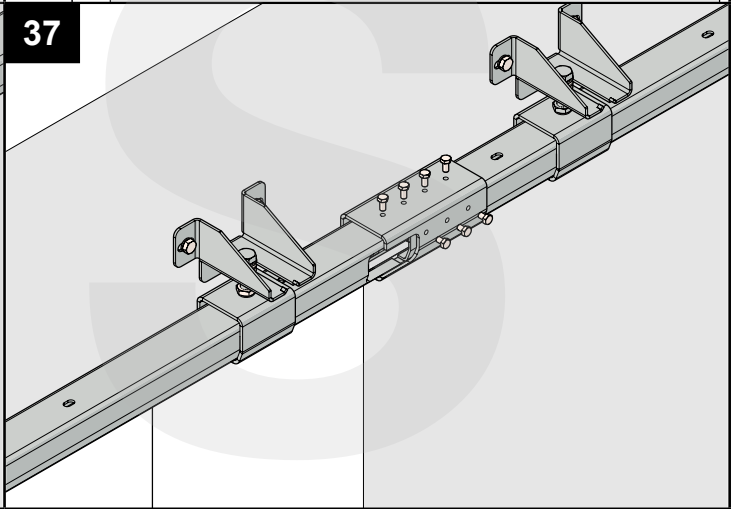
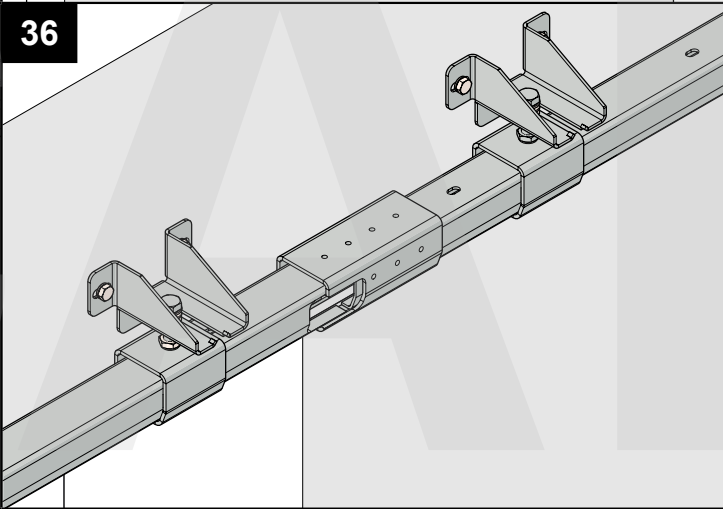
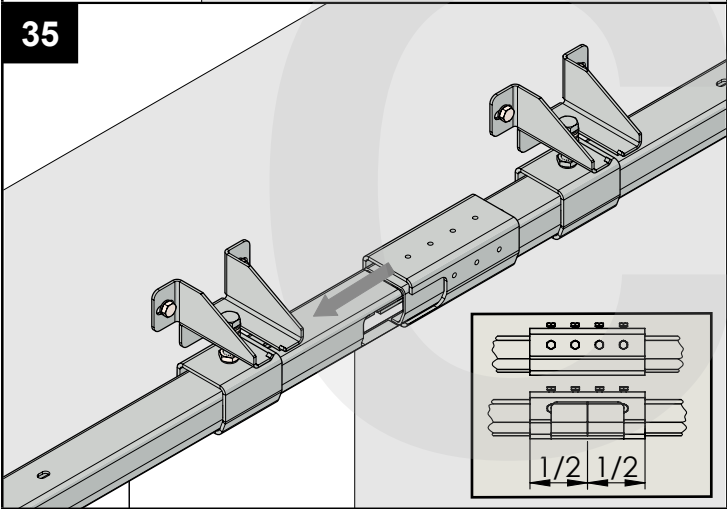
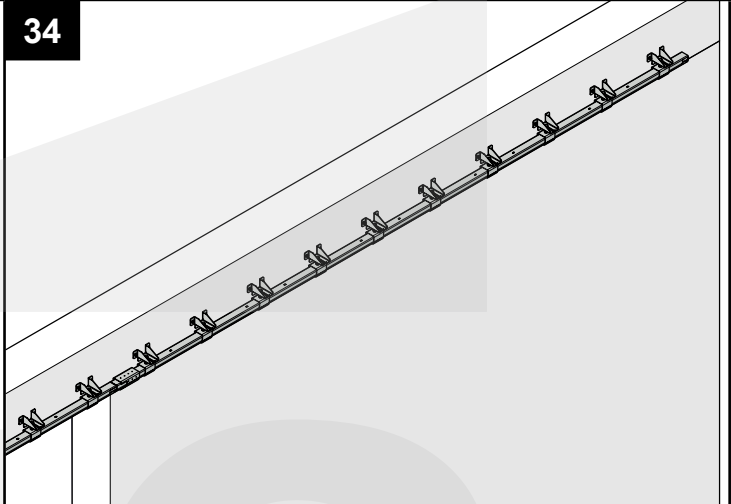
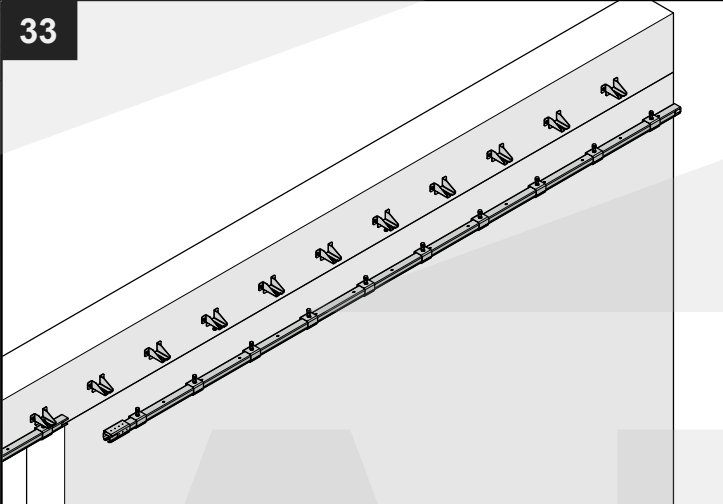
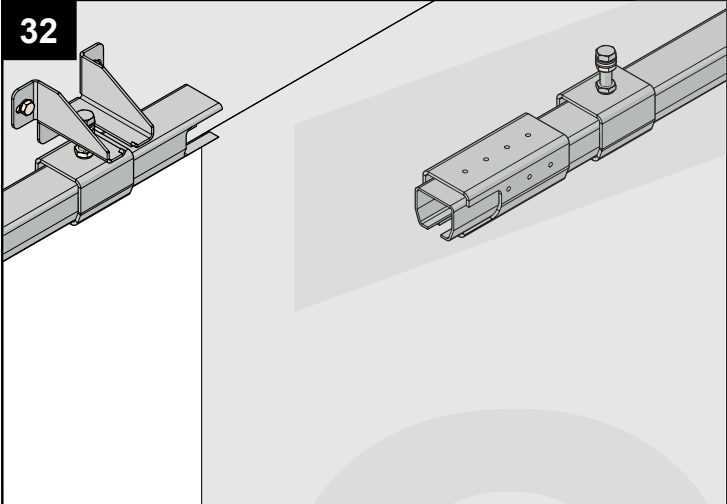
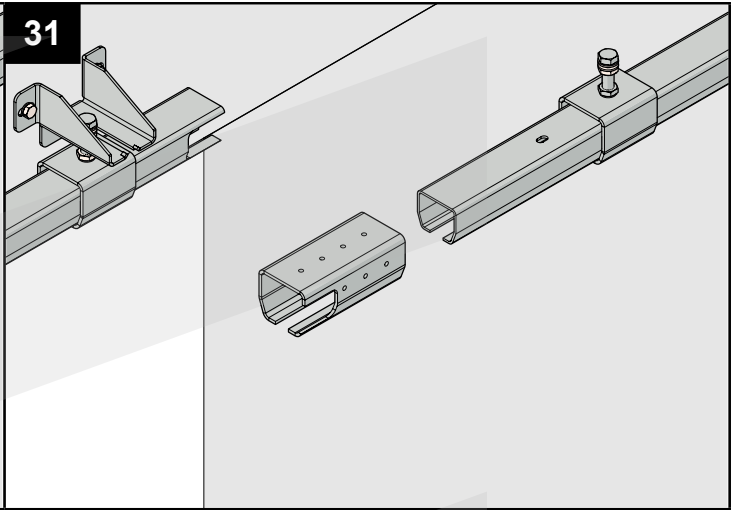
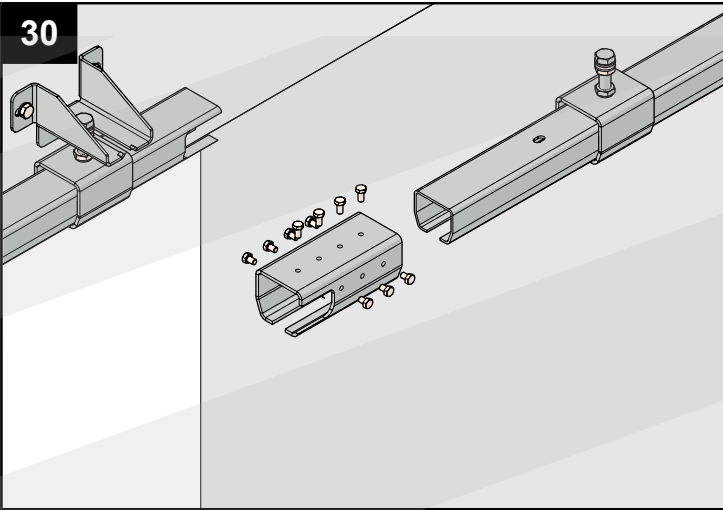
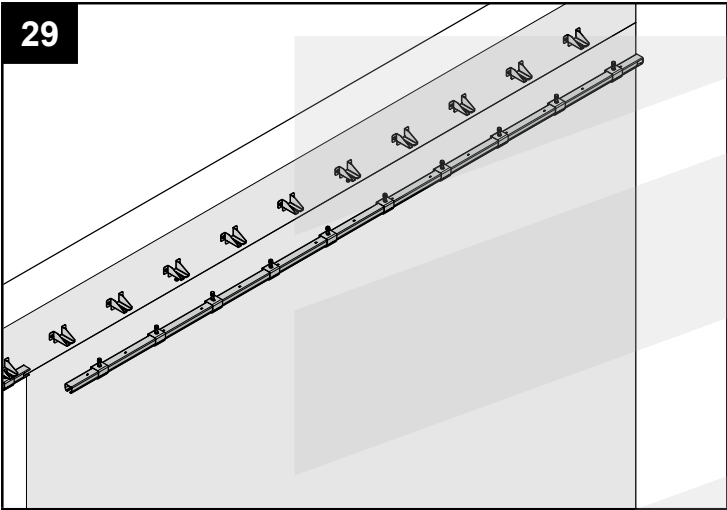
9

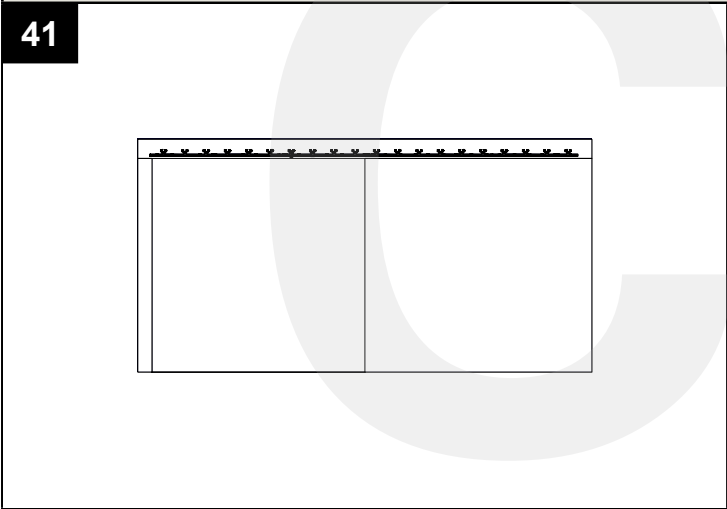
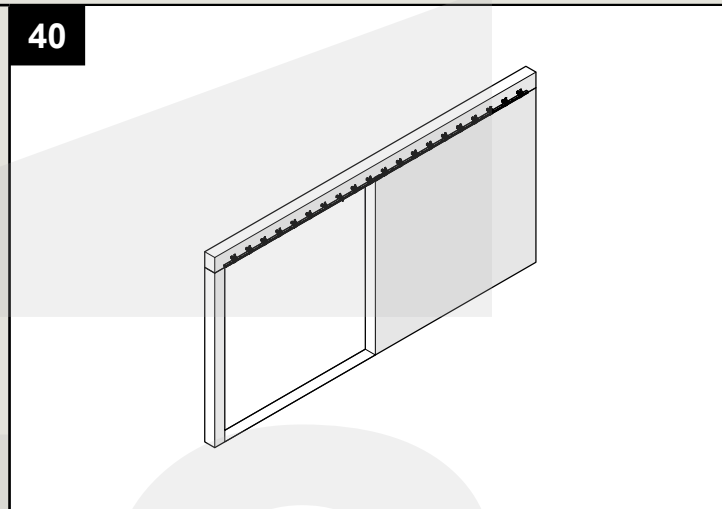
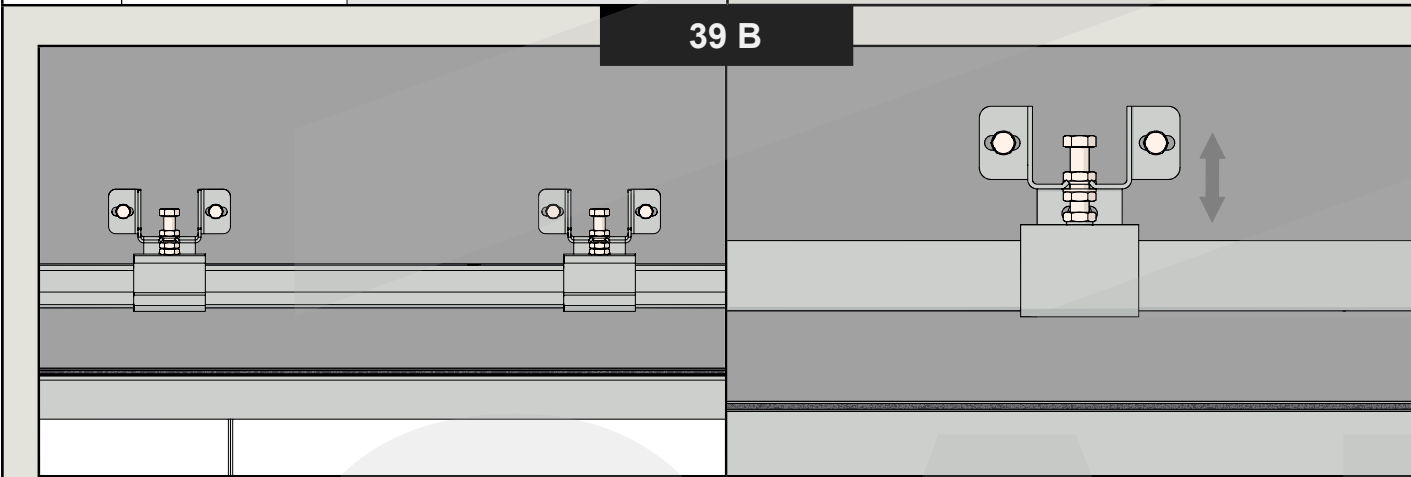
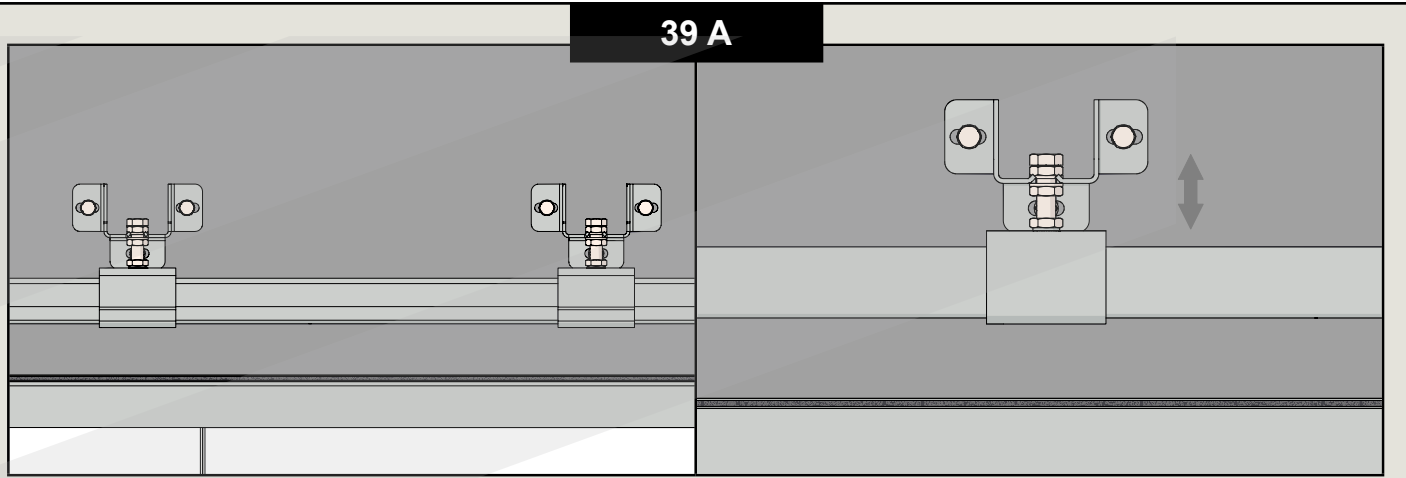
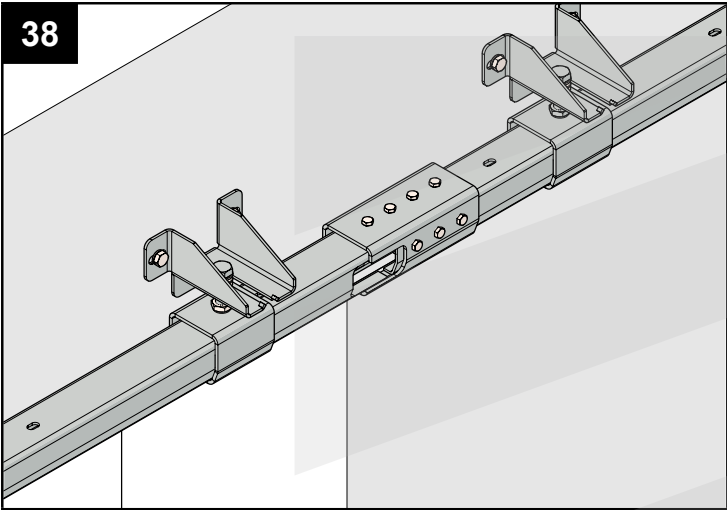






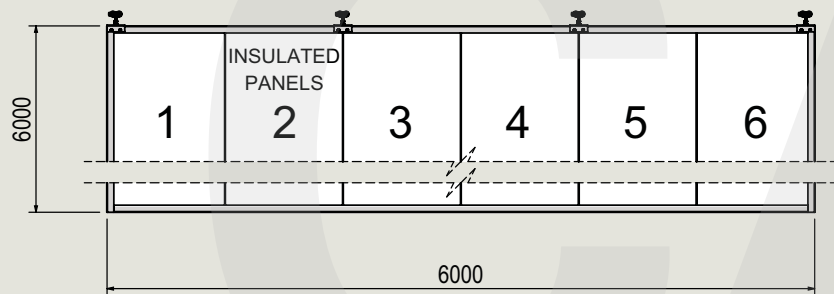
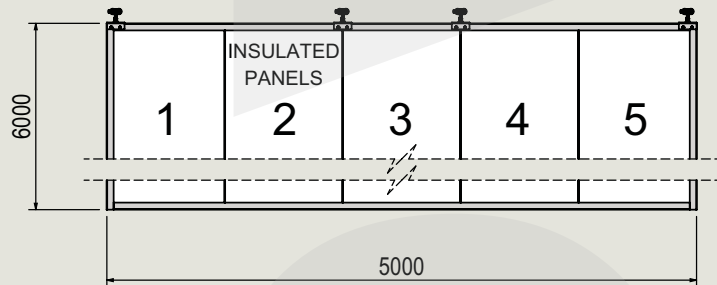
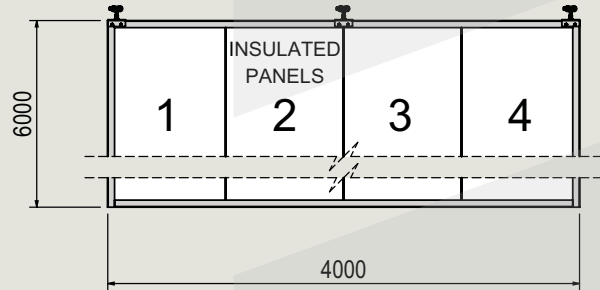
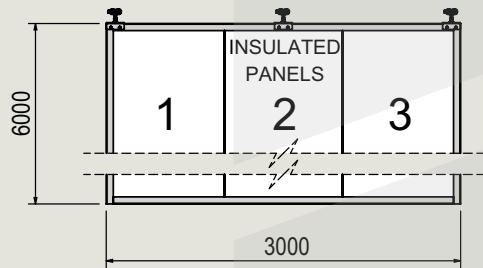




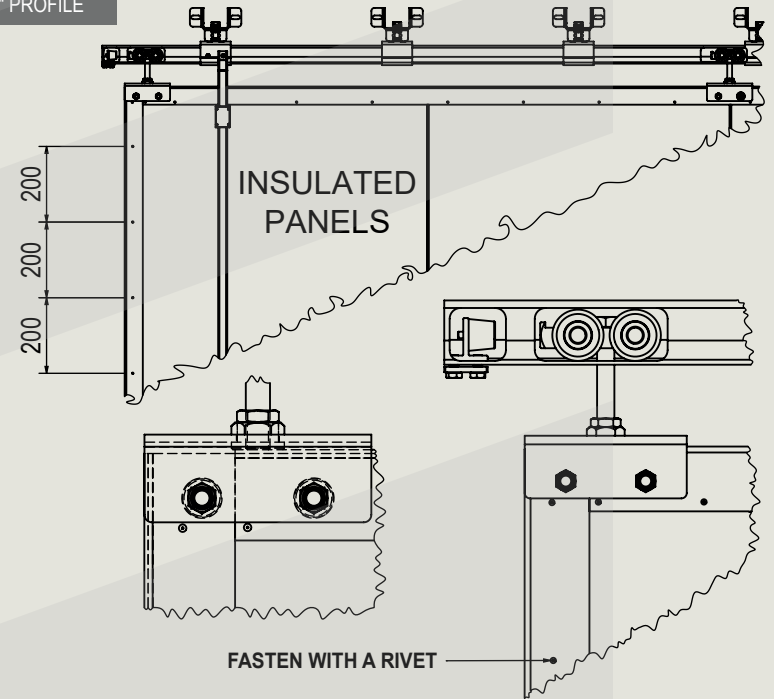


CAISS

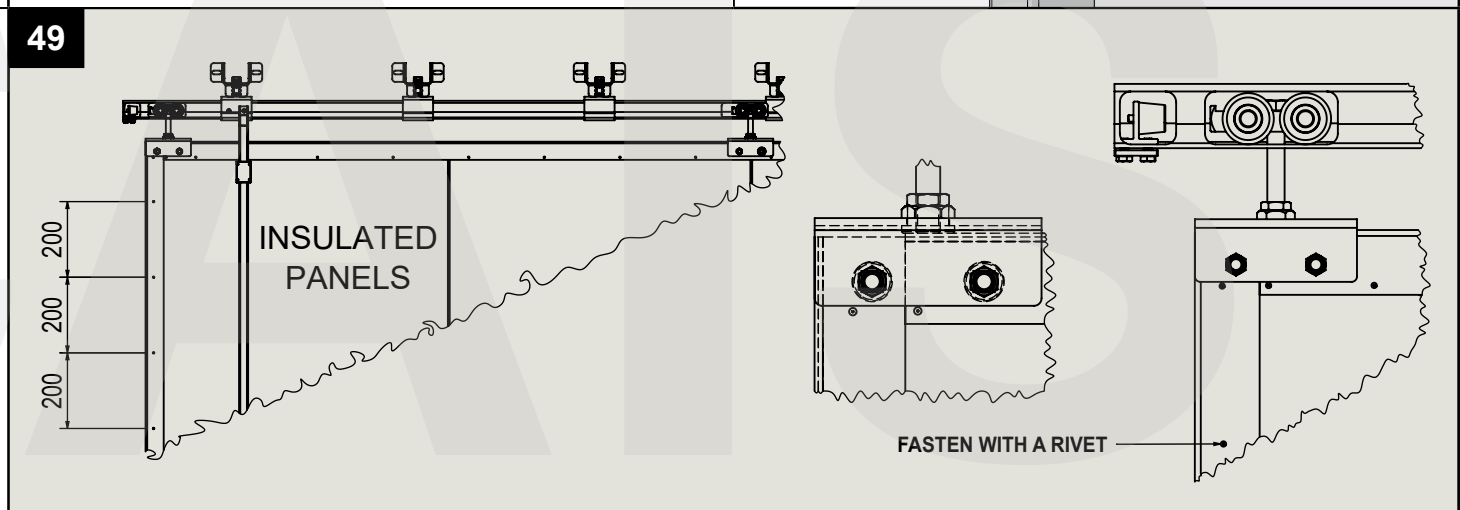
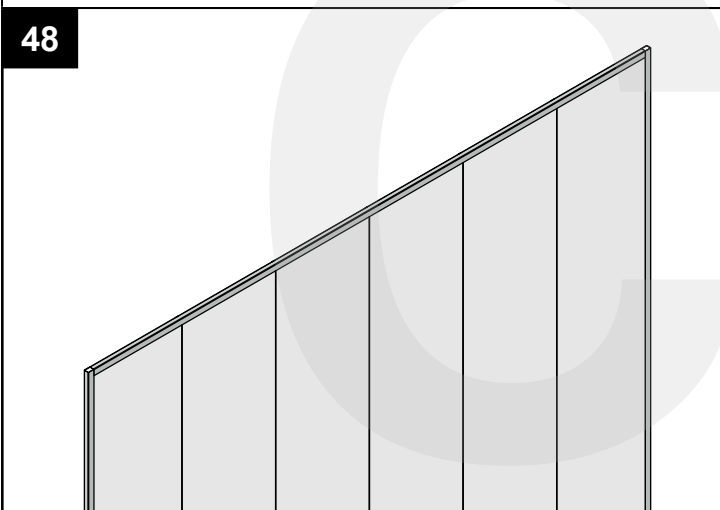
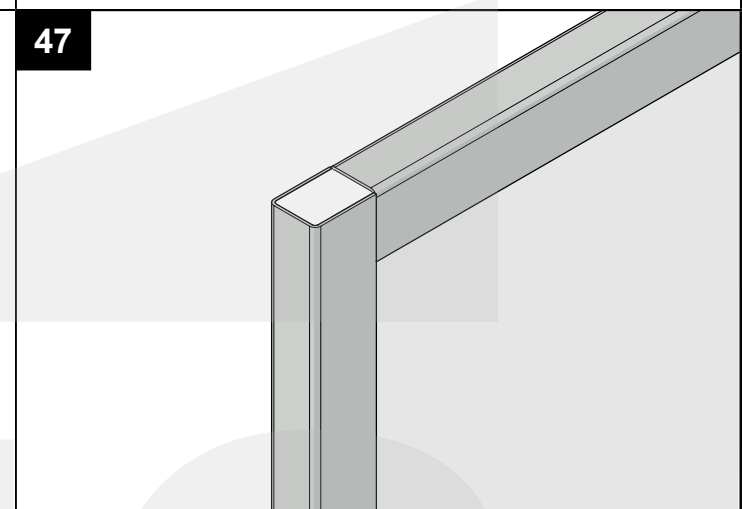
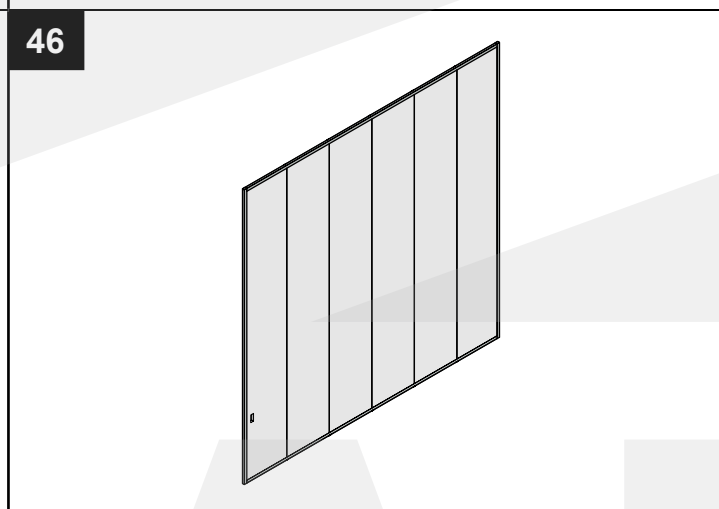
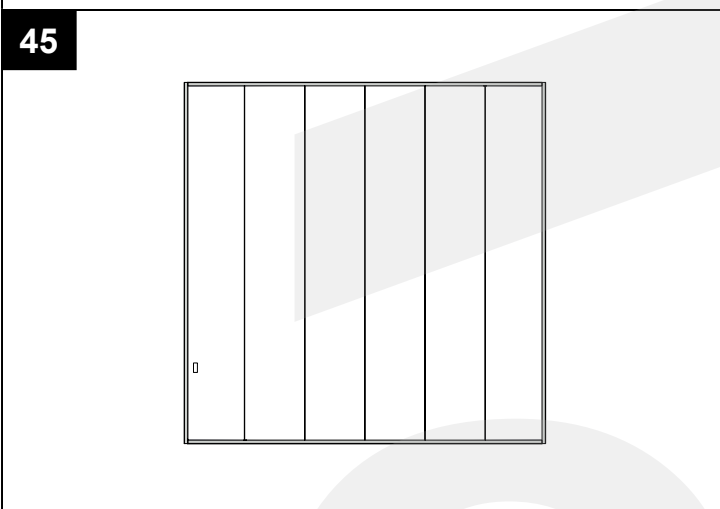
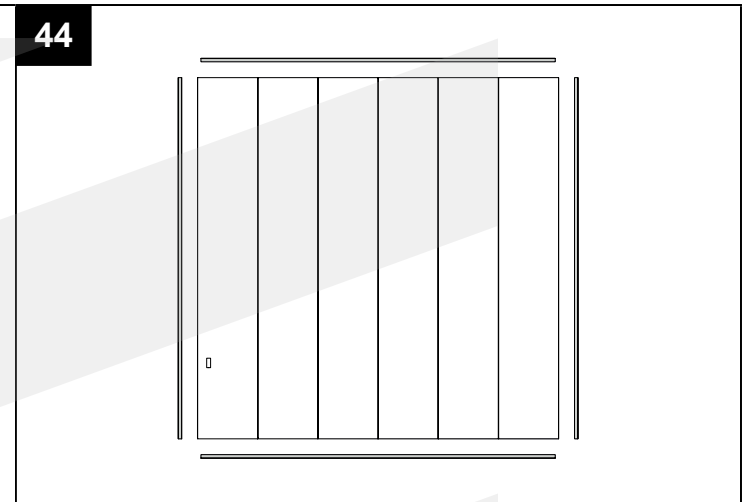
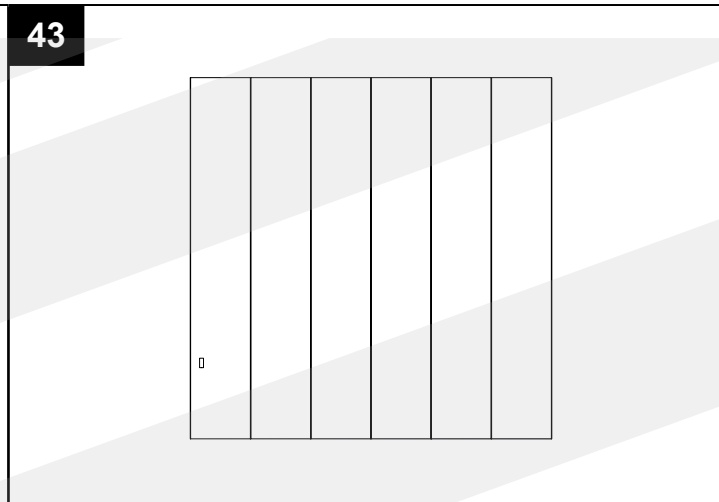
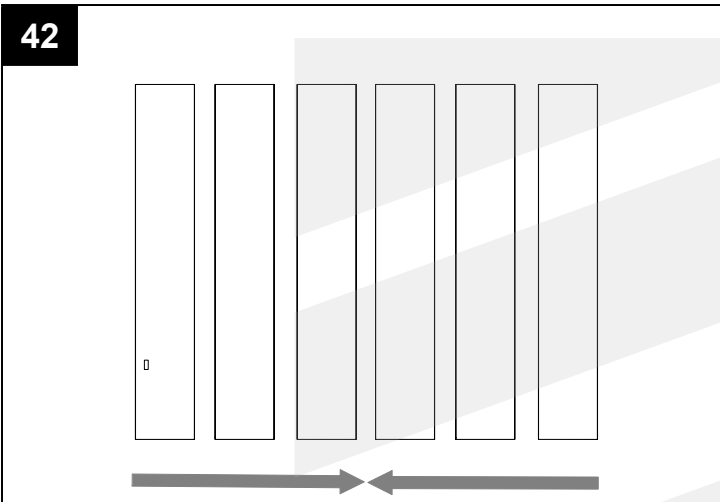
**RECOMMENDED INSTALLATION**  
 CARRIAGES - BRACKET SUPPORT - INSULATED PANELS - „U“ PROFILE

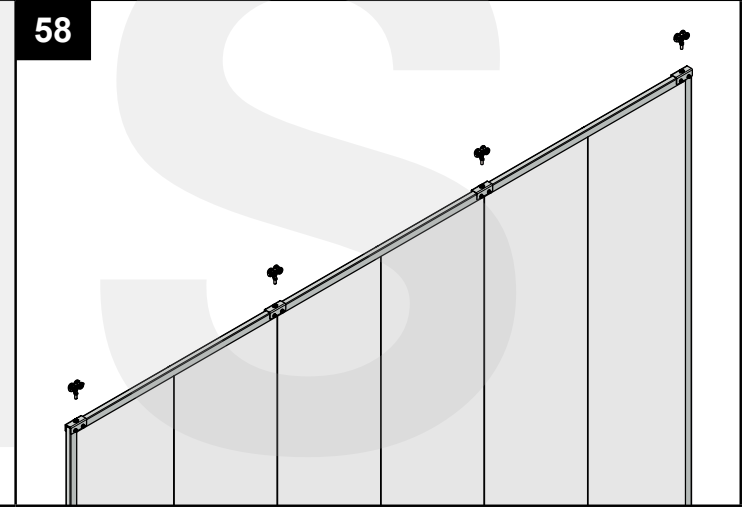
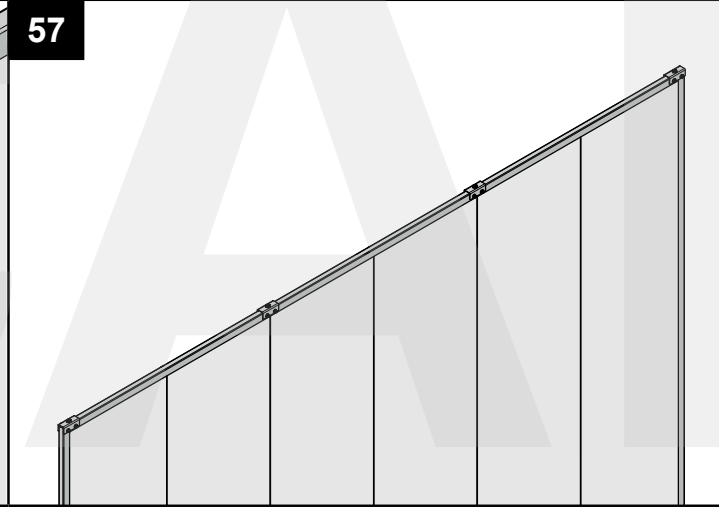
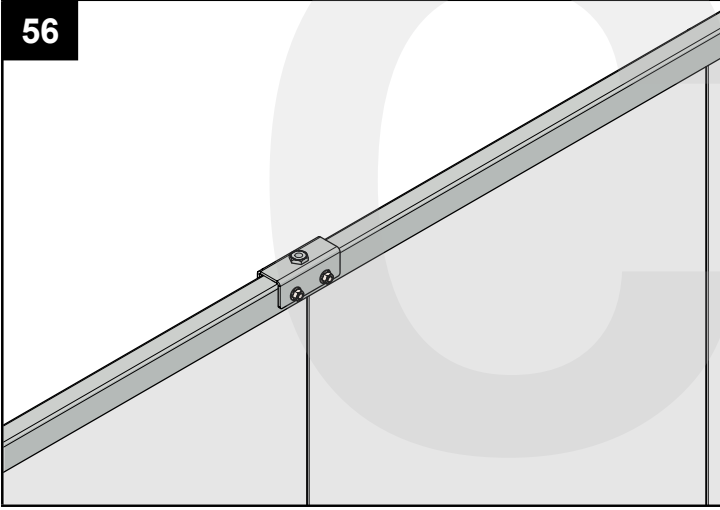
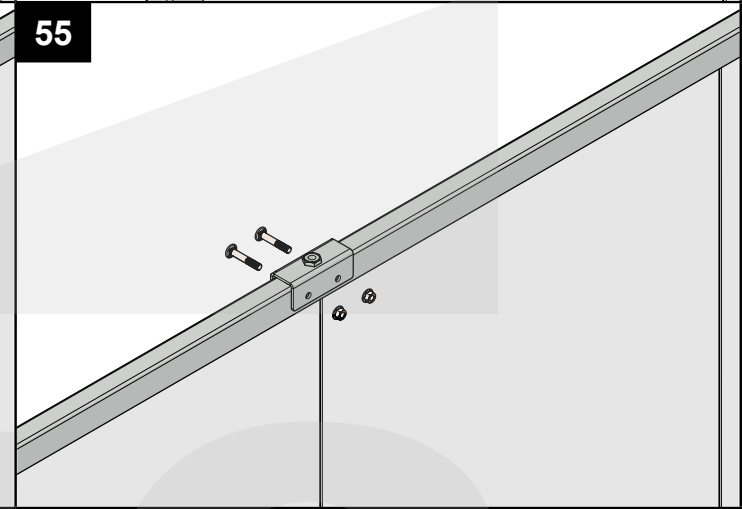
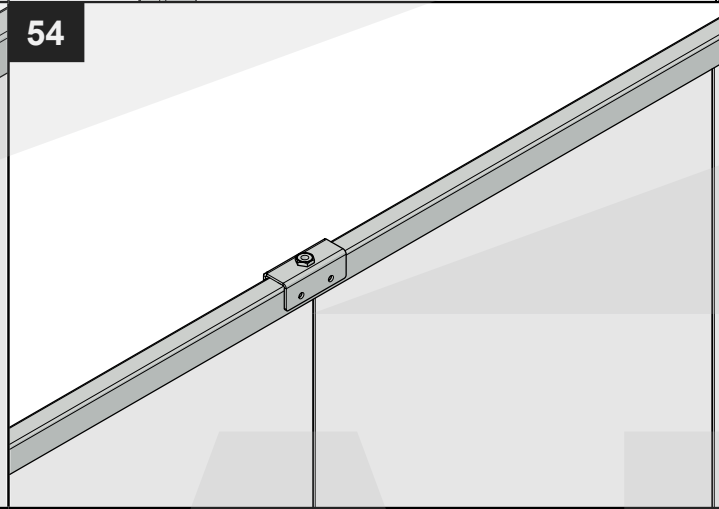
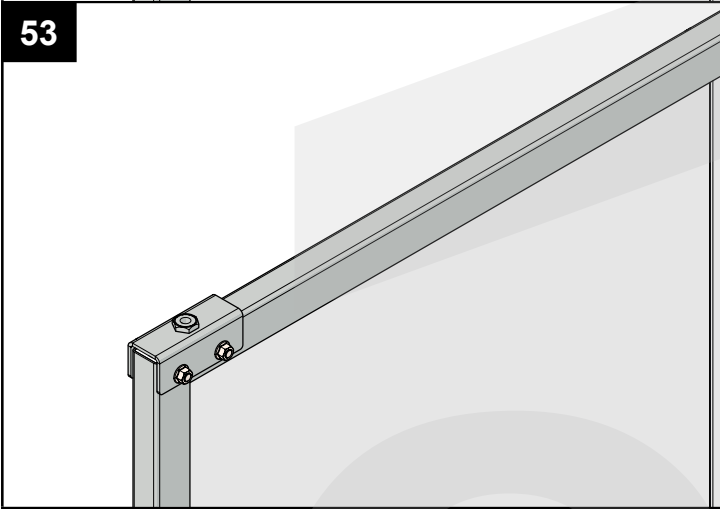
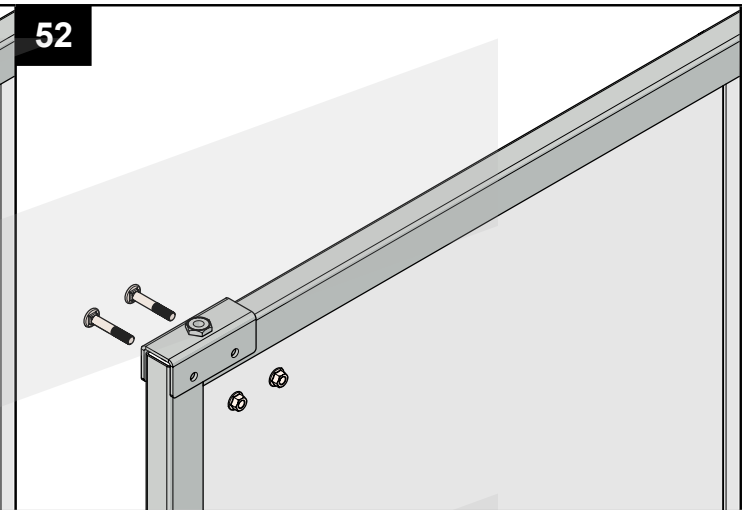
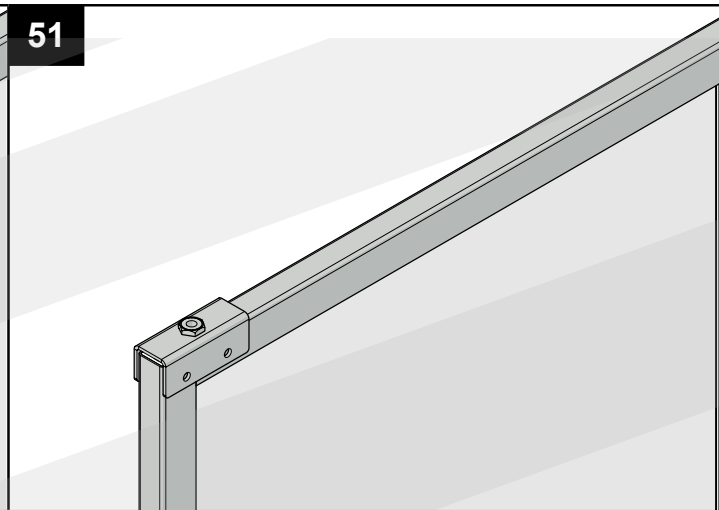
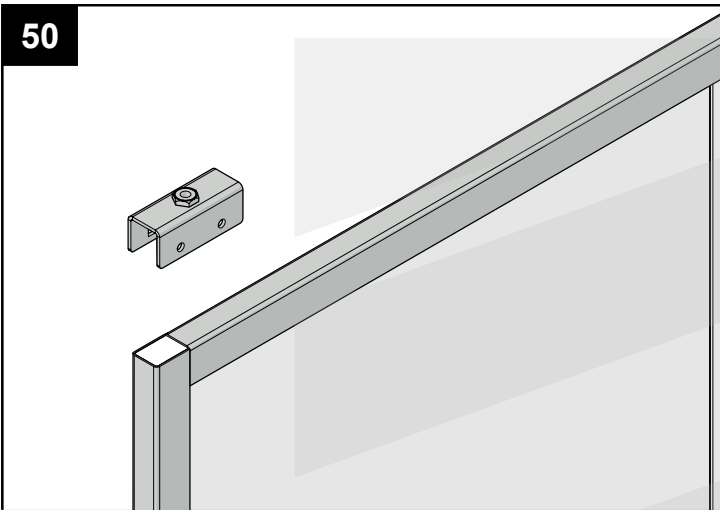


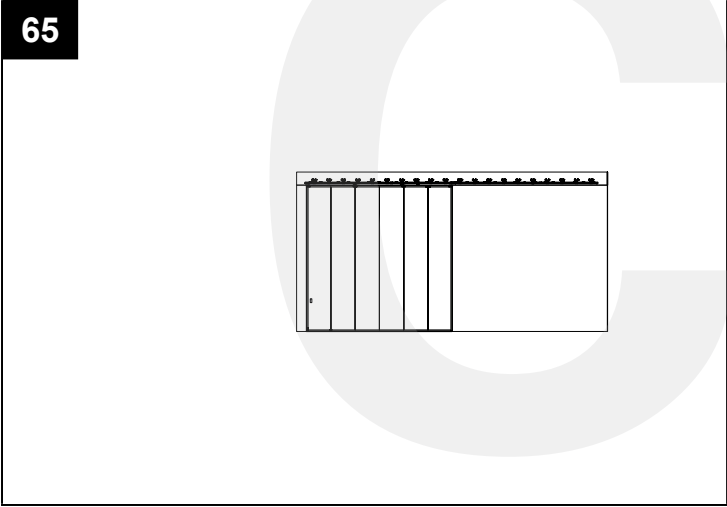
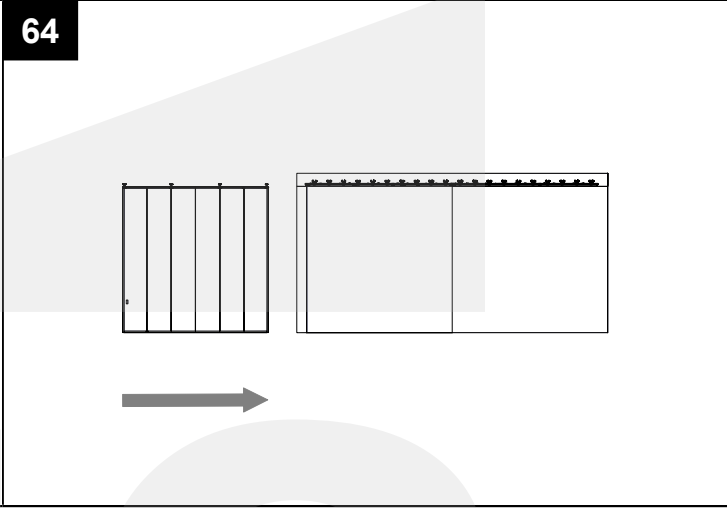
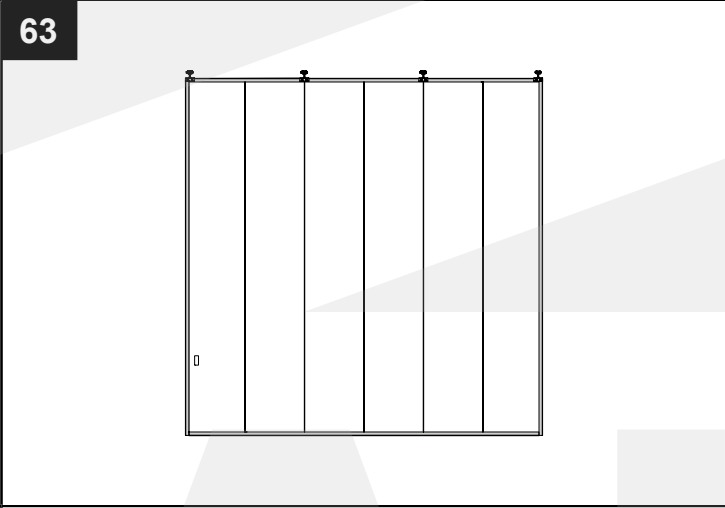
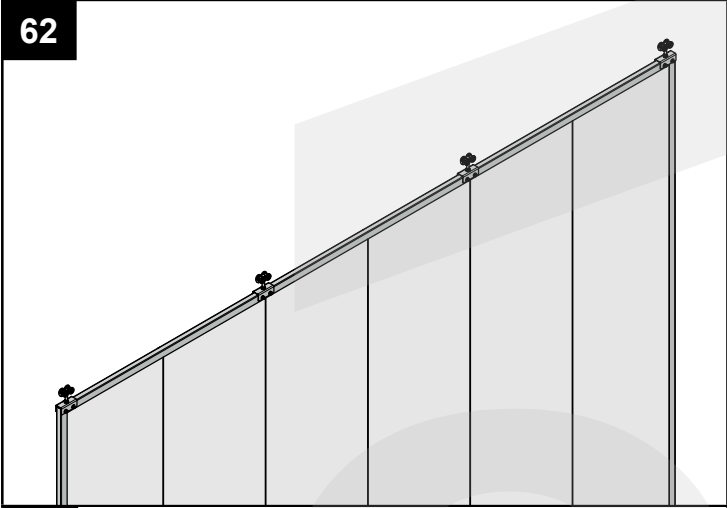
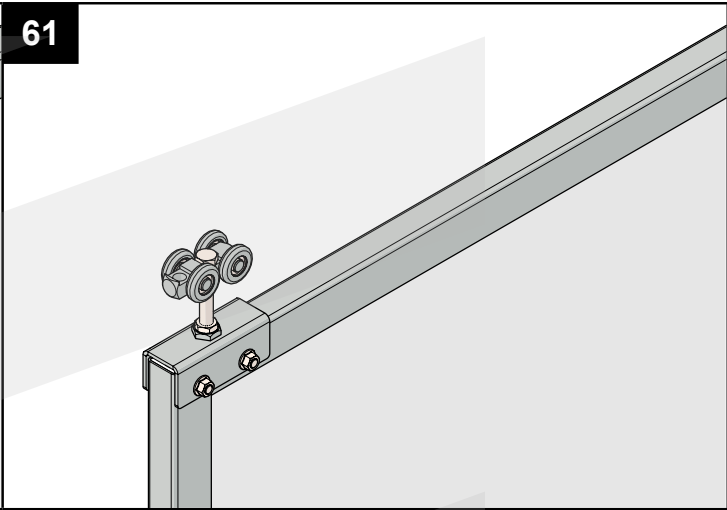
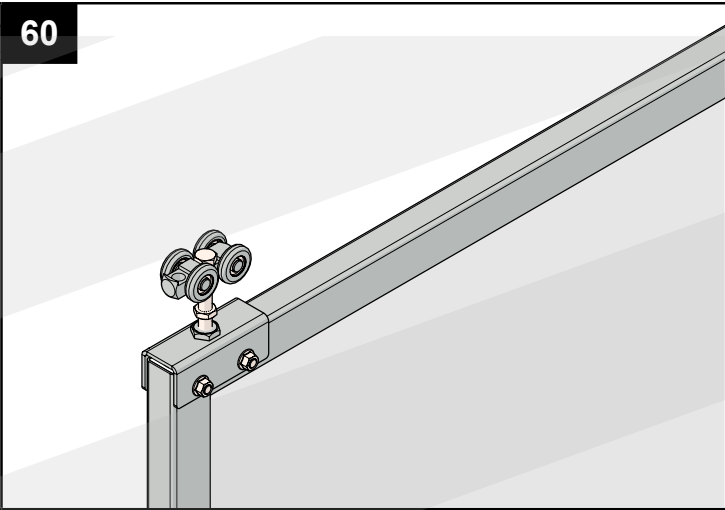
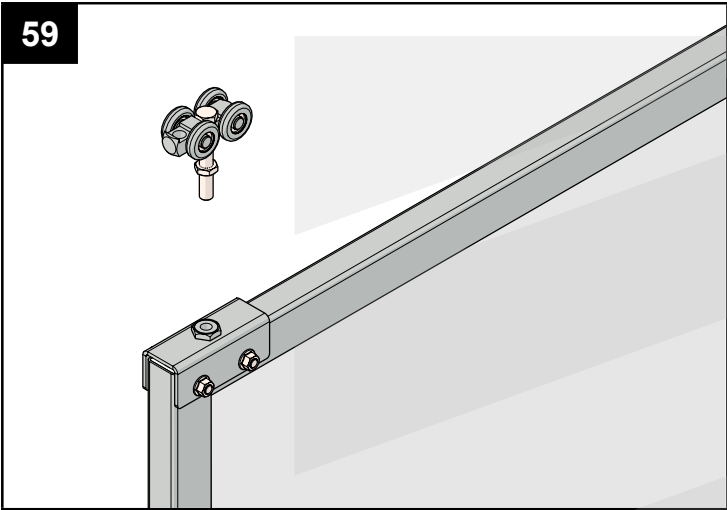
**SAFETY MEASURES - POSITIONING GUIDELINES**  
 INSULATED PANELS - SUPPORT BRACKETS - CARRIAGES



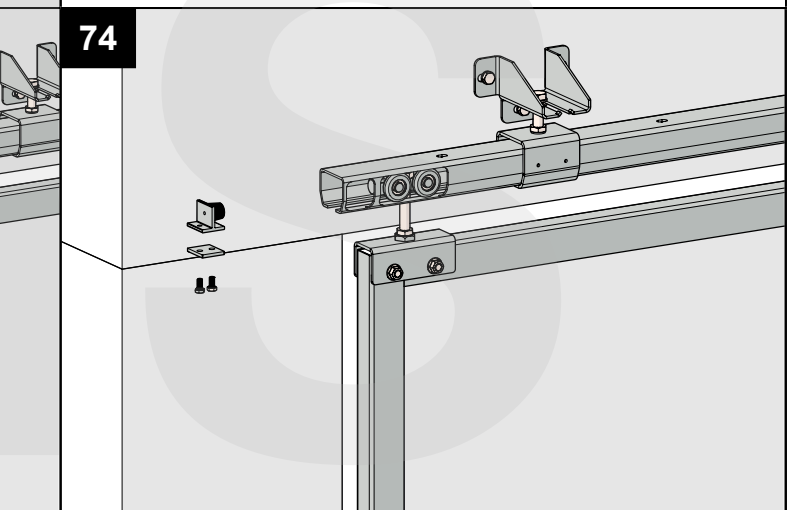
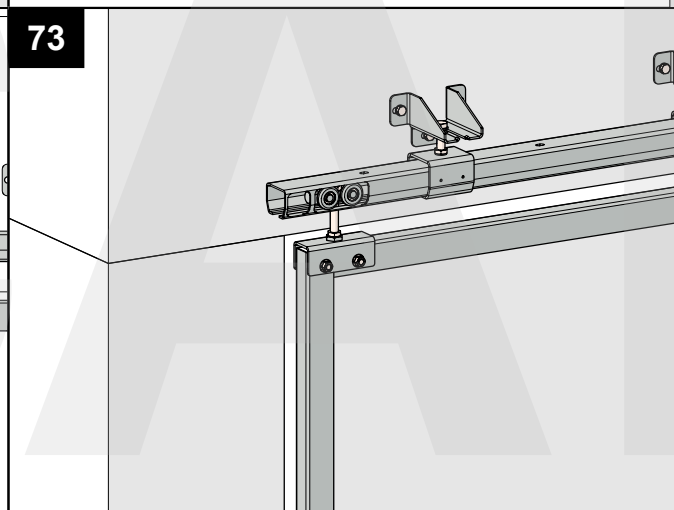
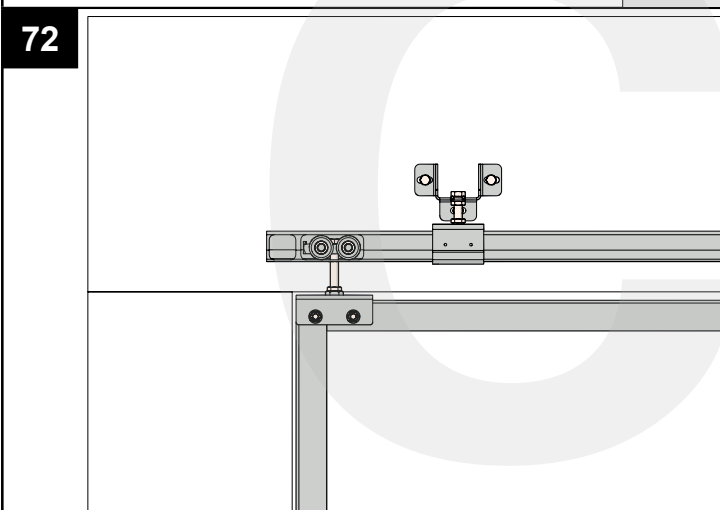
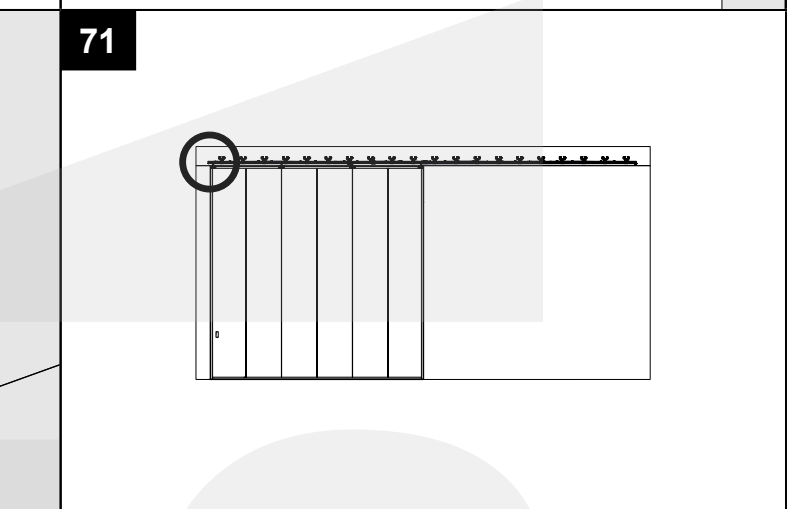
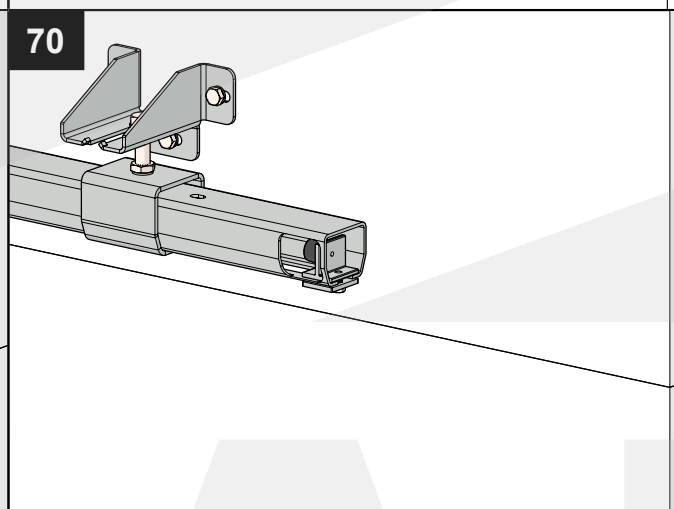
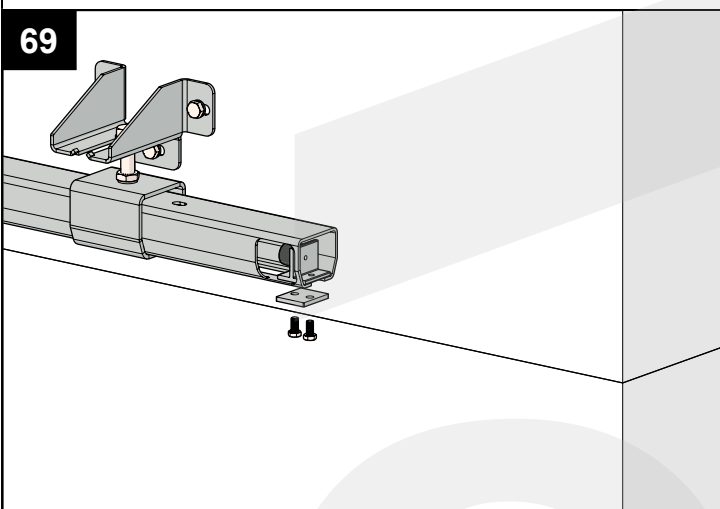
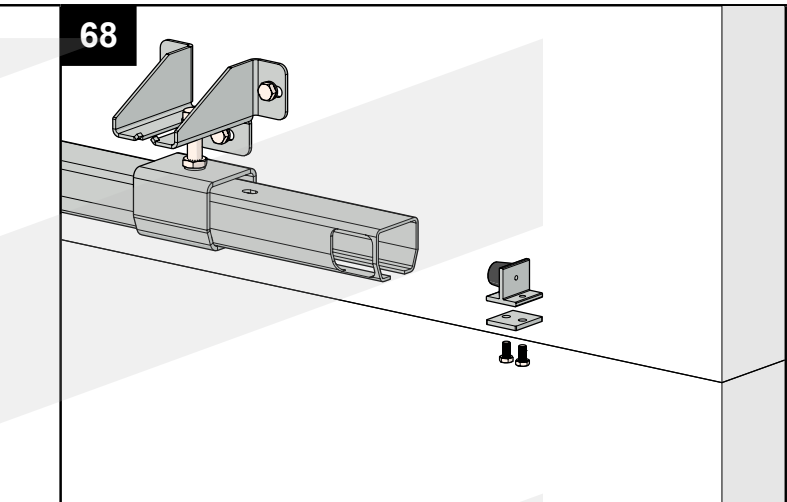
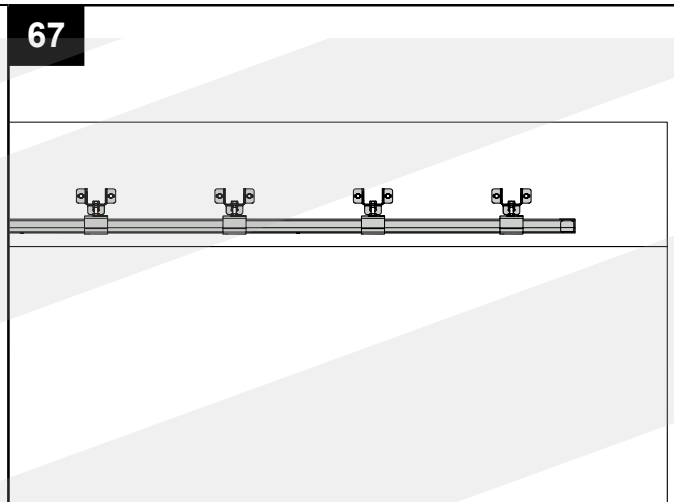
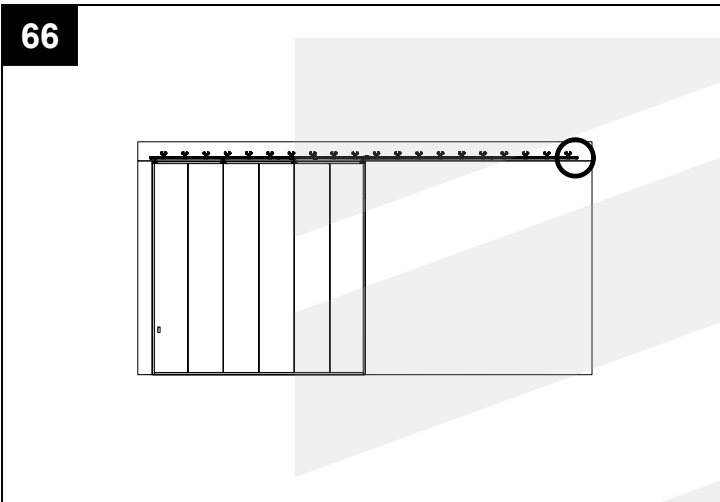
**RIVETING**  
 „U“ PROFILE FRAME AND INSULATED PANELS MUST BE FASTEN FROM BOTH SIDE BY RIVET EVERY 200 mm

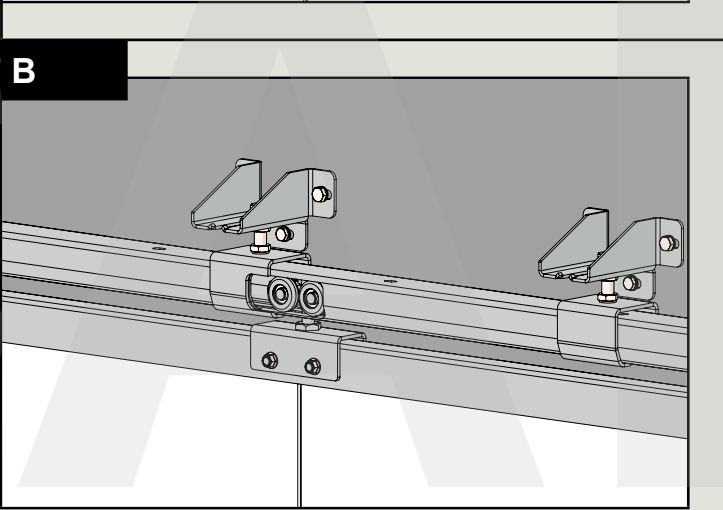
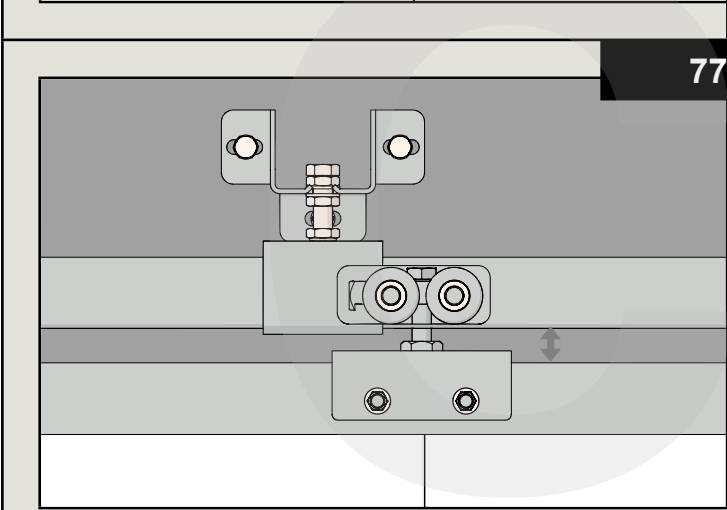
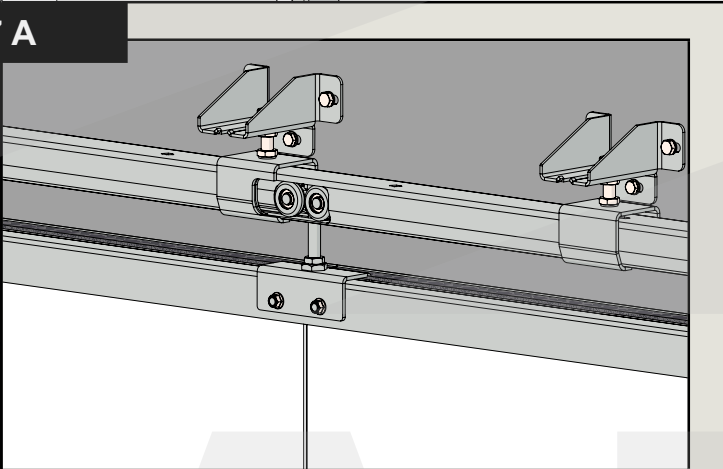
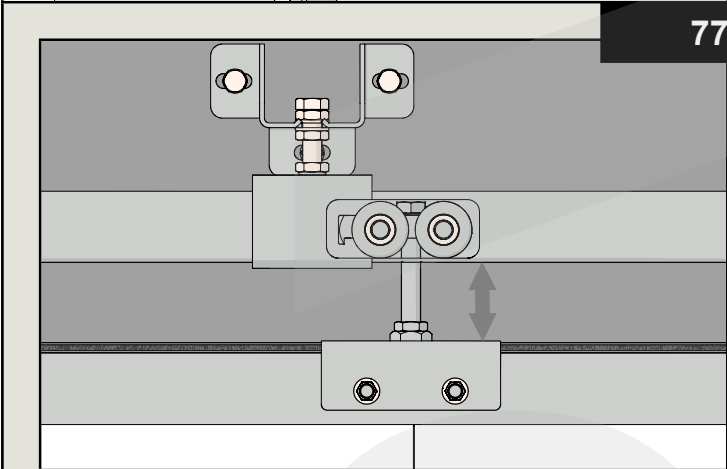
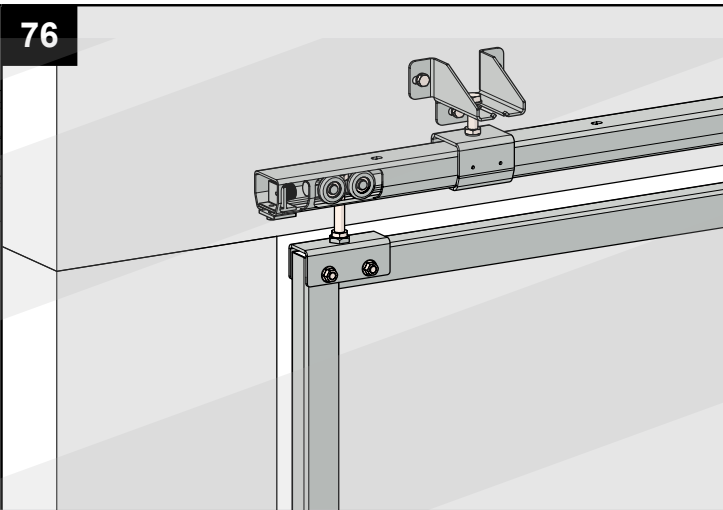
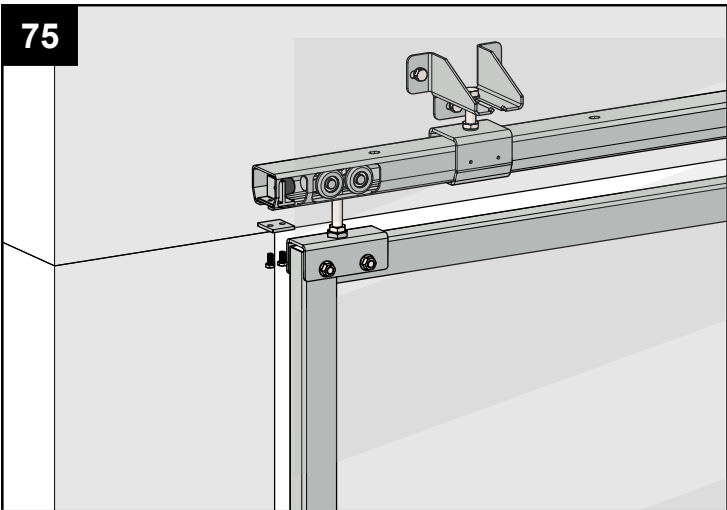




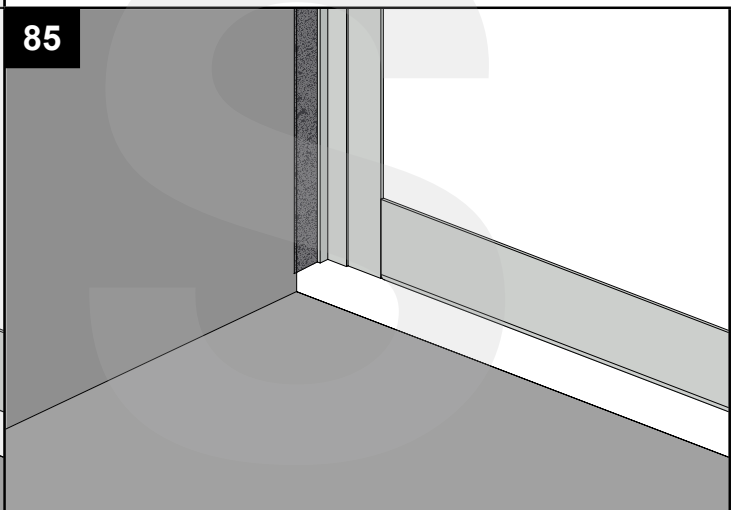
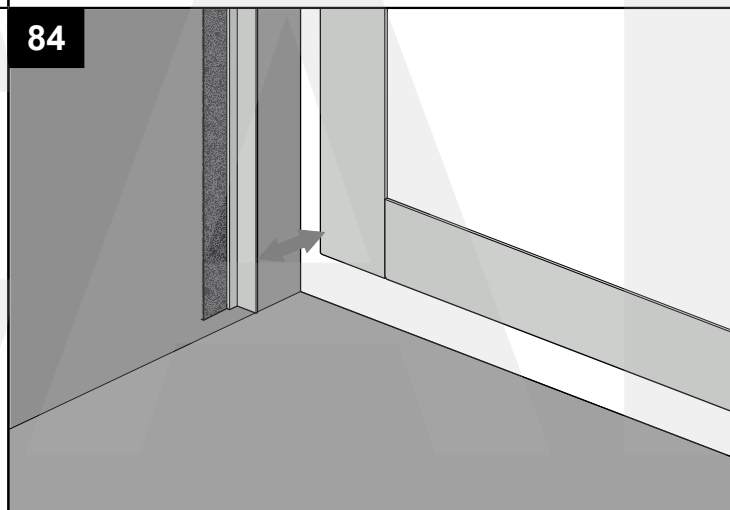
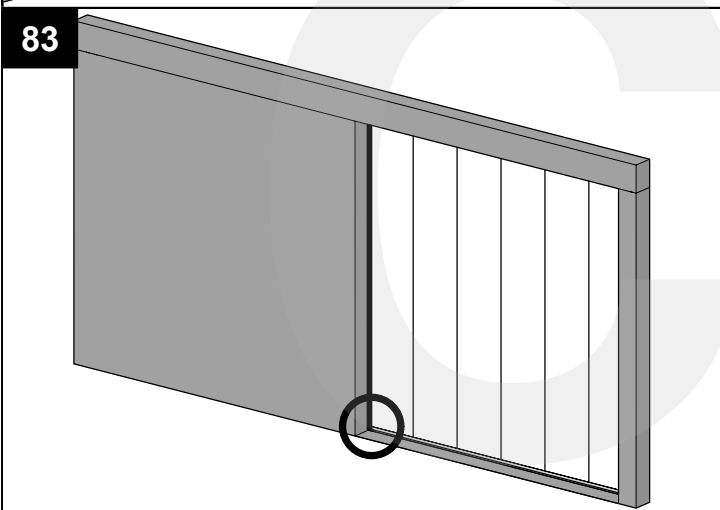
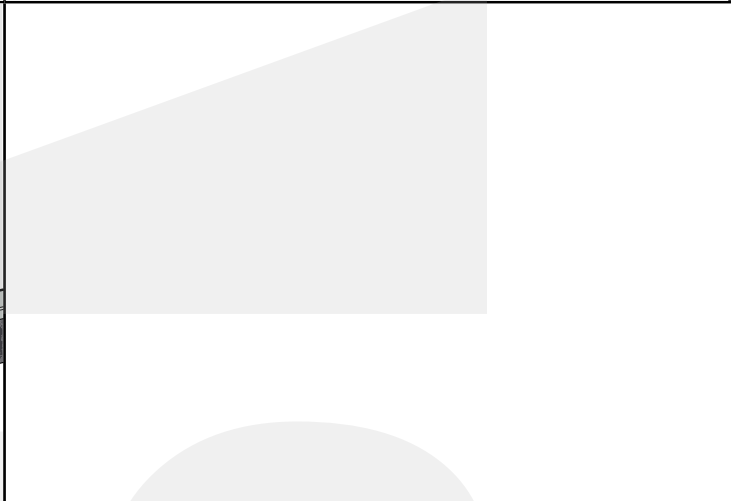
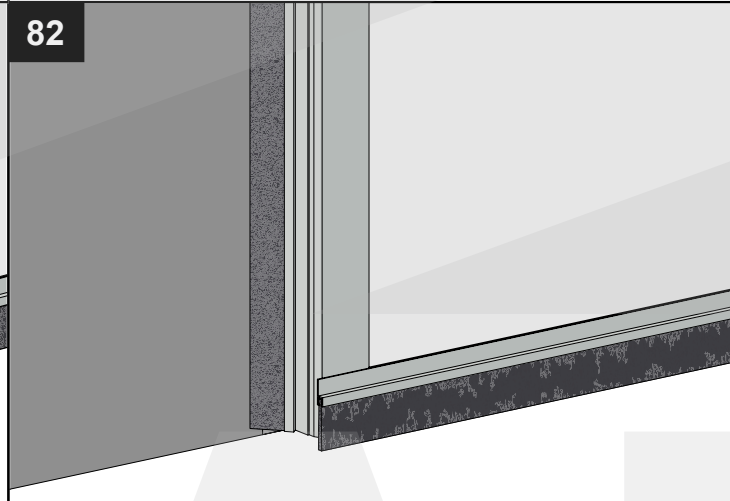
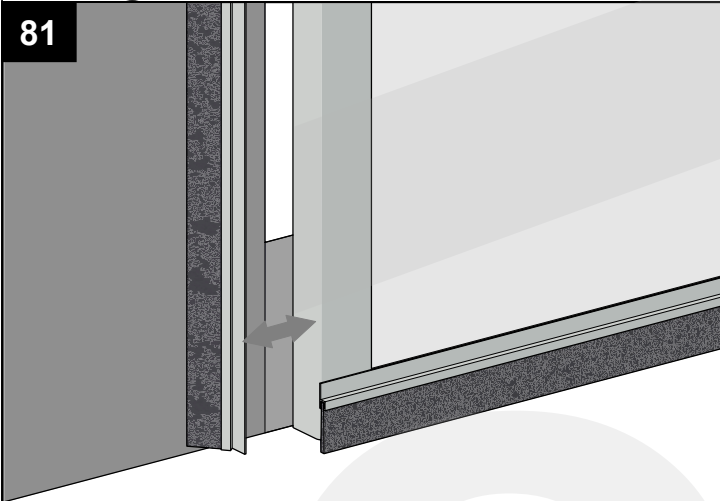
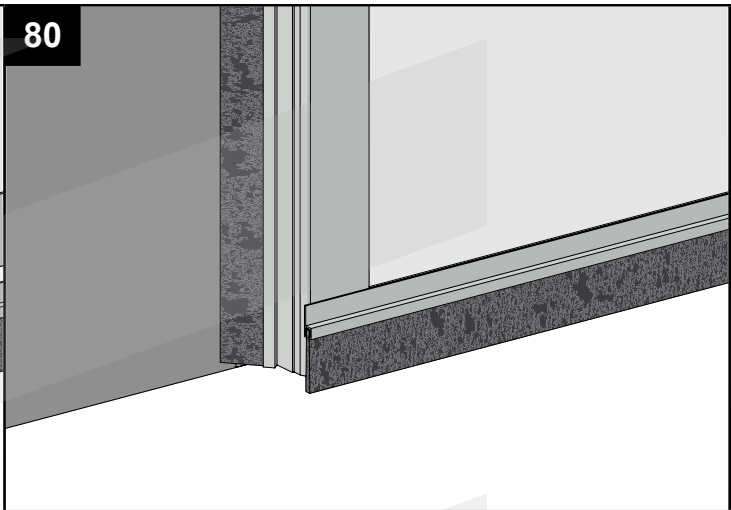
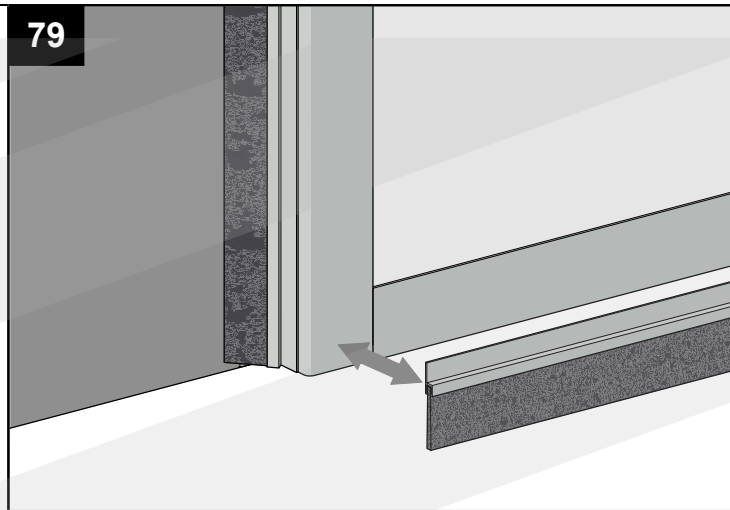
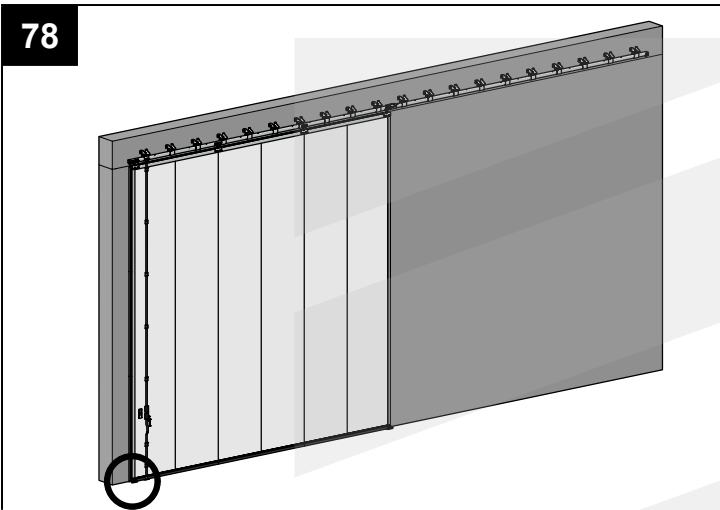


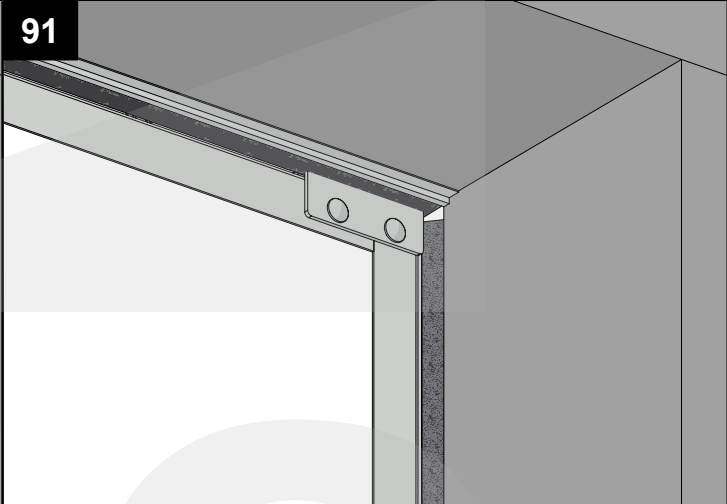
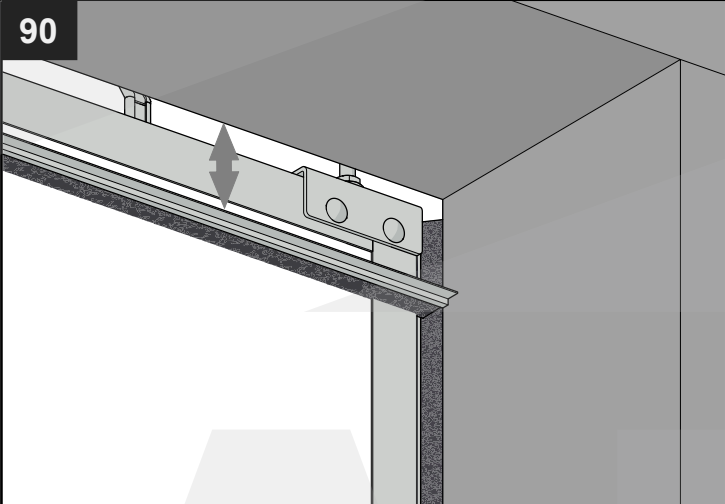
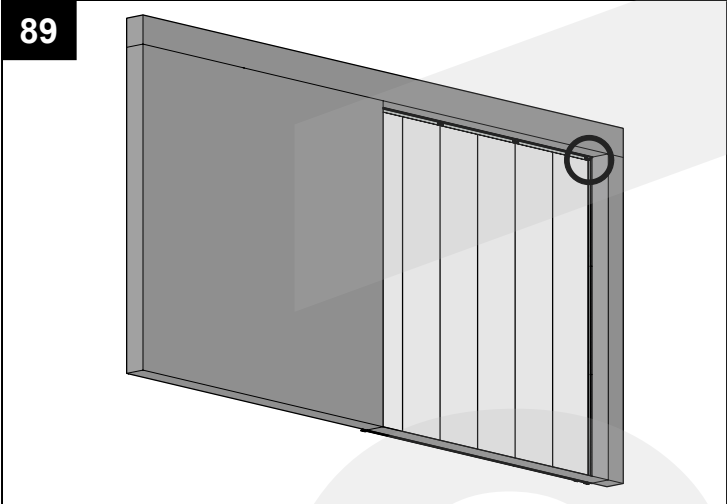
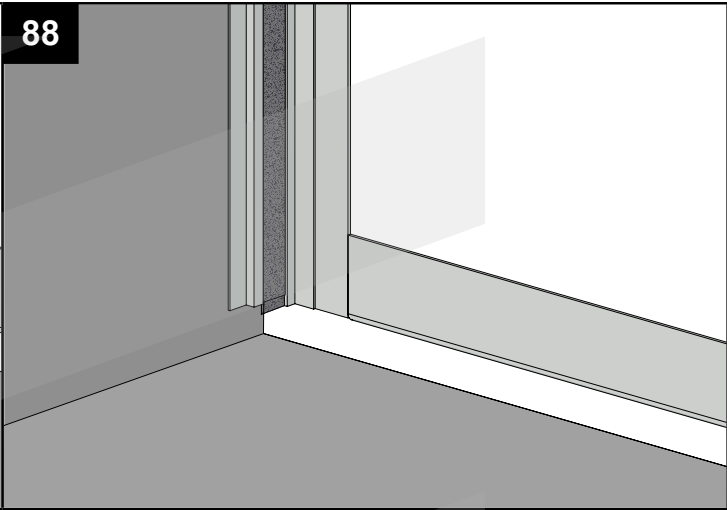
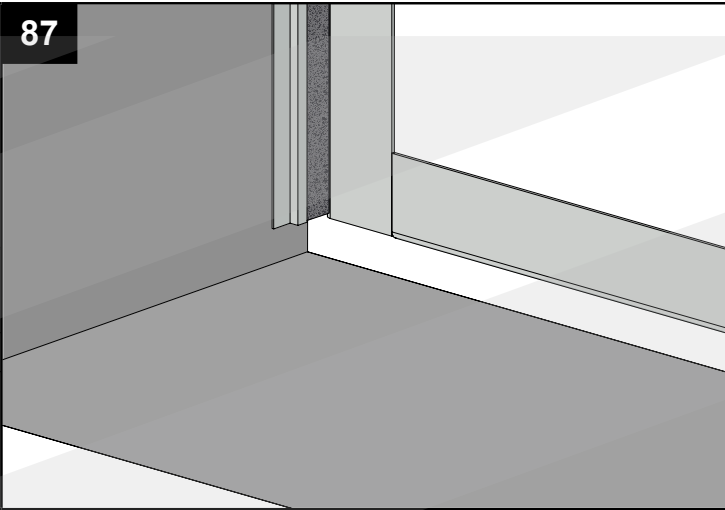
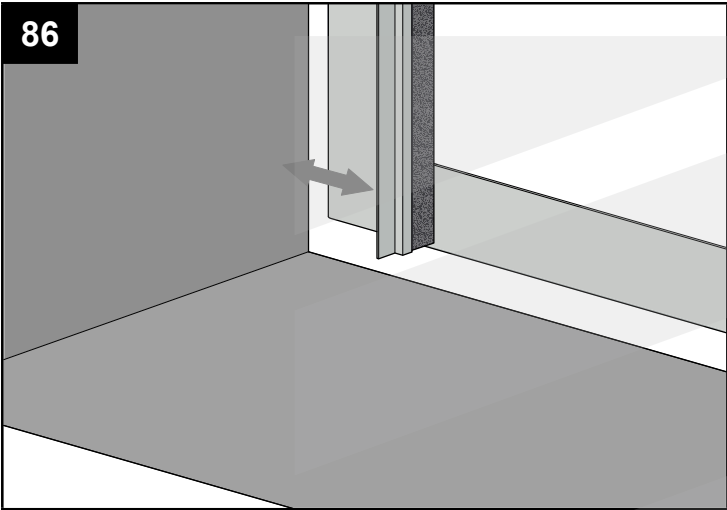




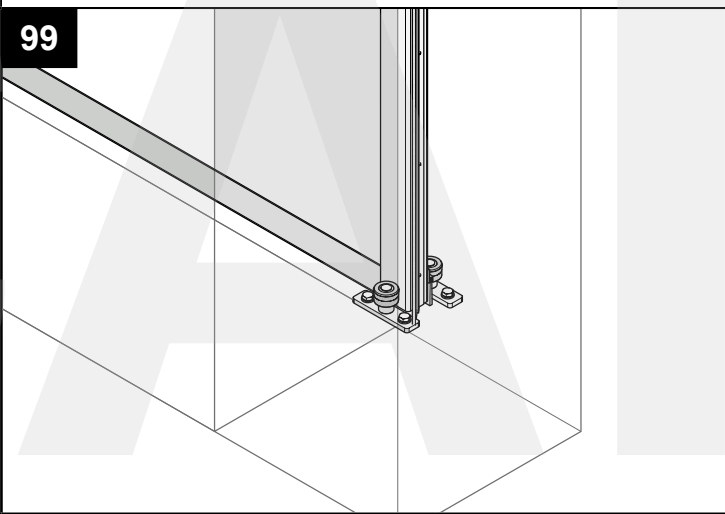
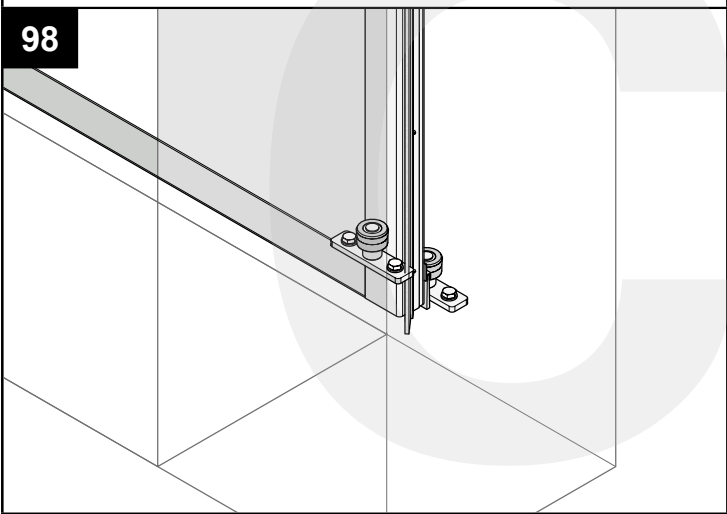
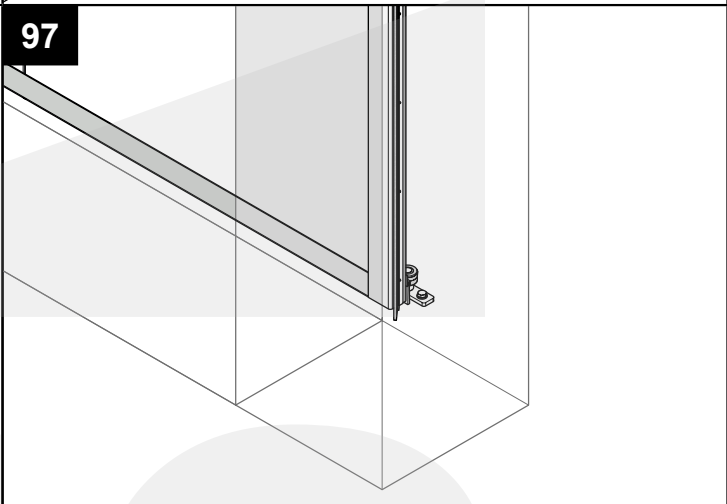
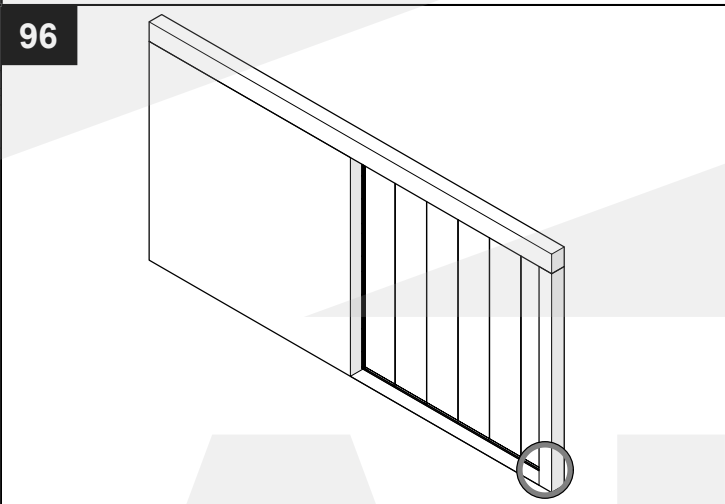
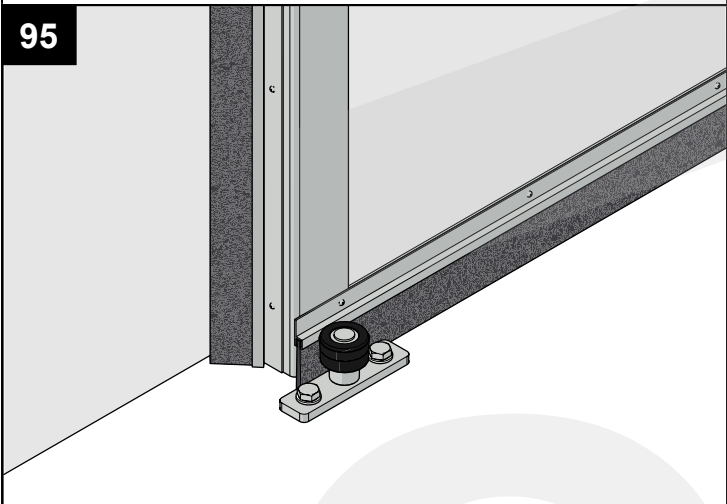
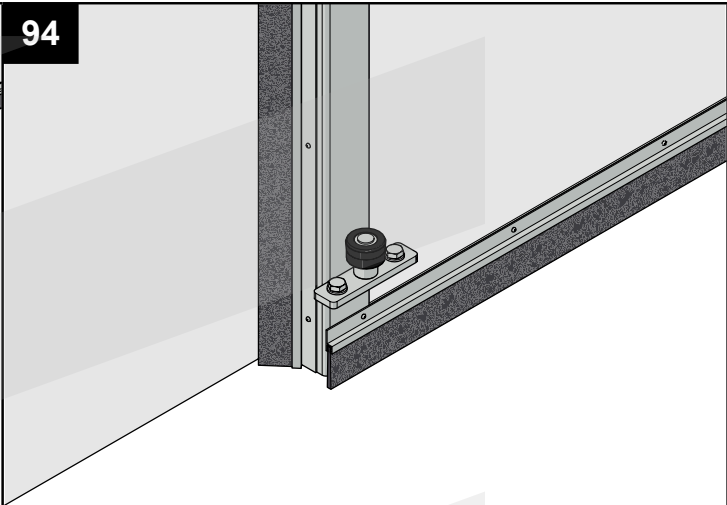
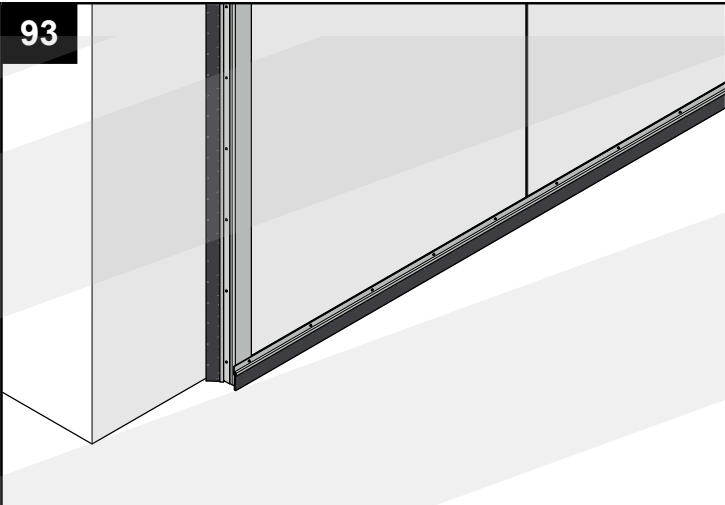
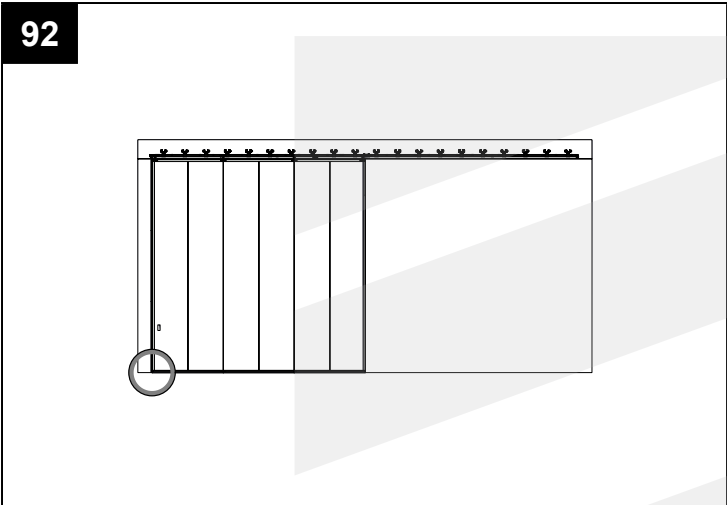


S

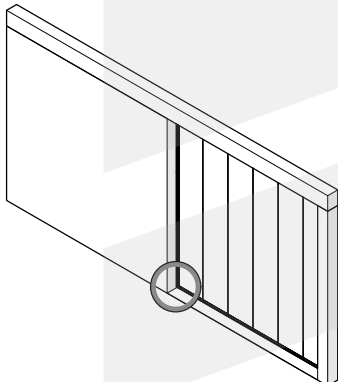




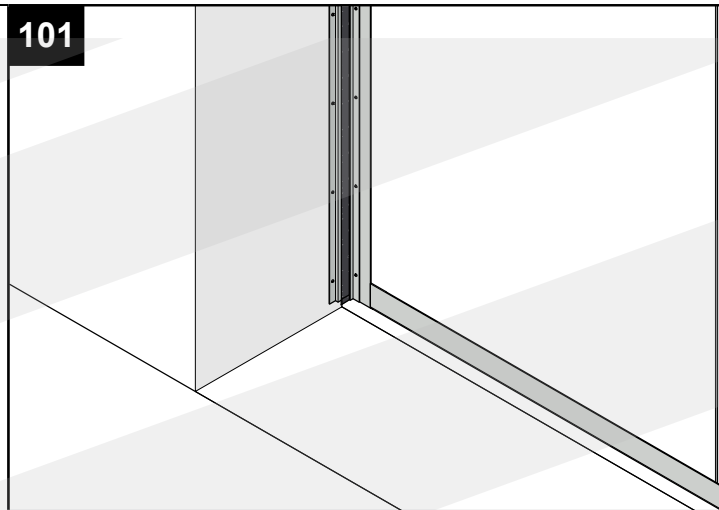
CAISS



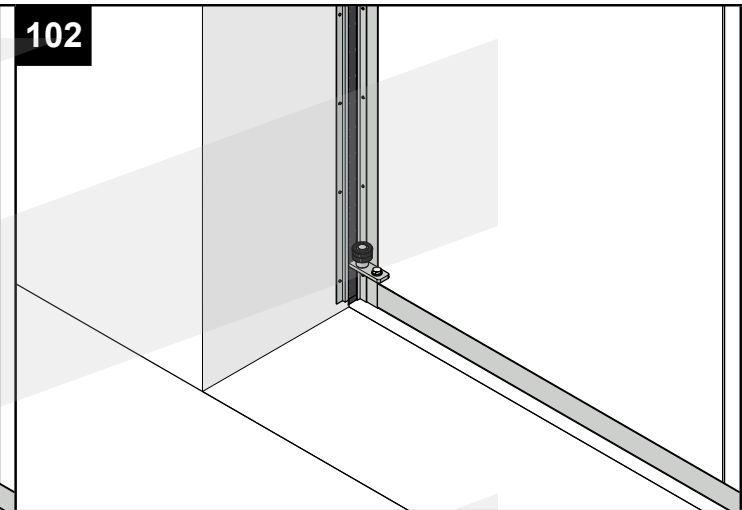
100



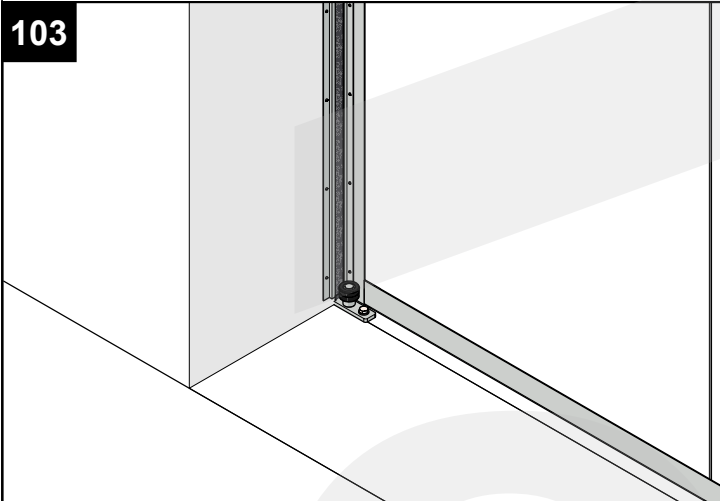
101



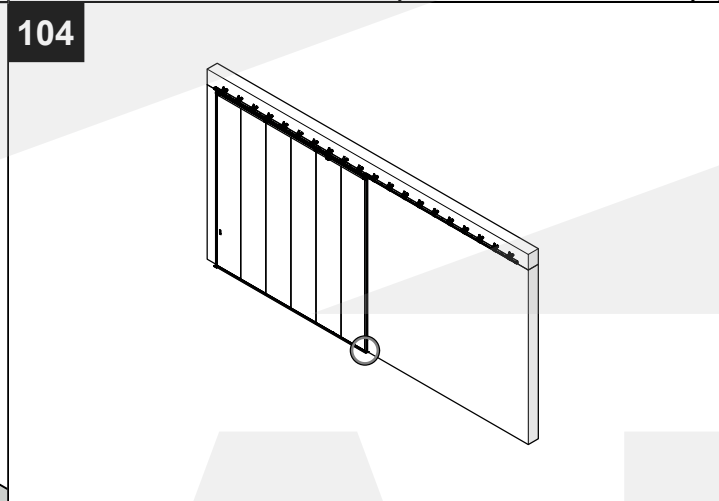
102



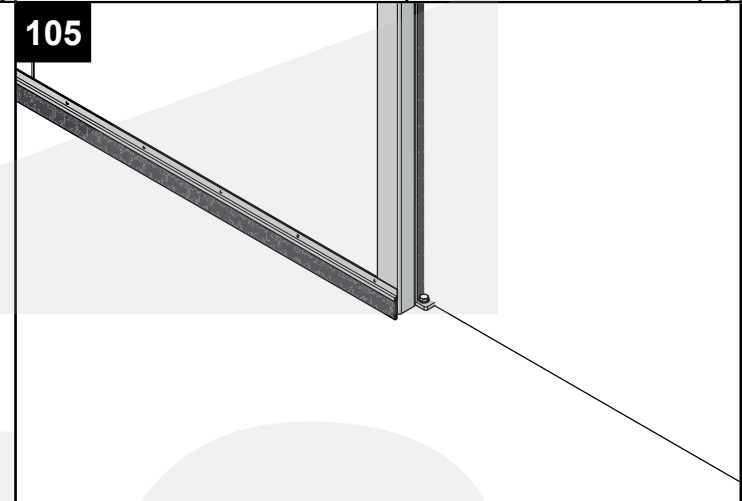
103



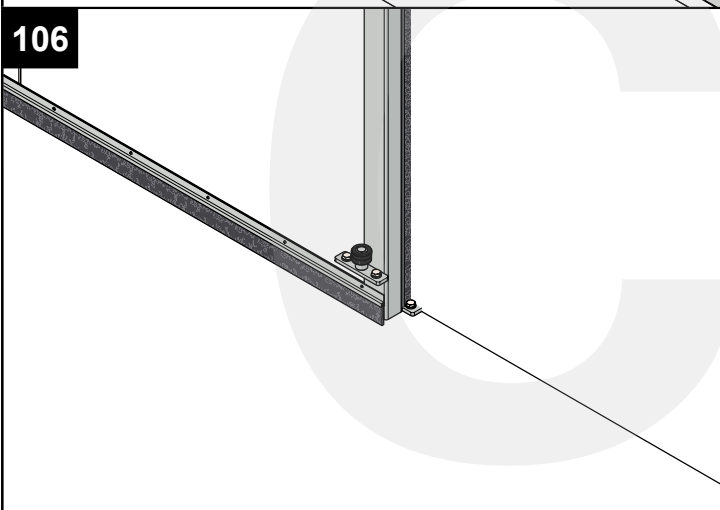
104



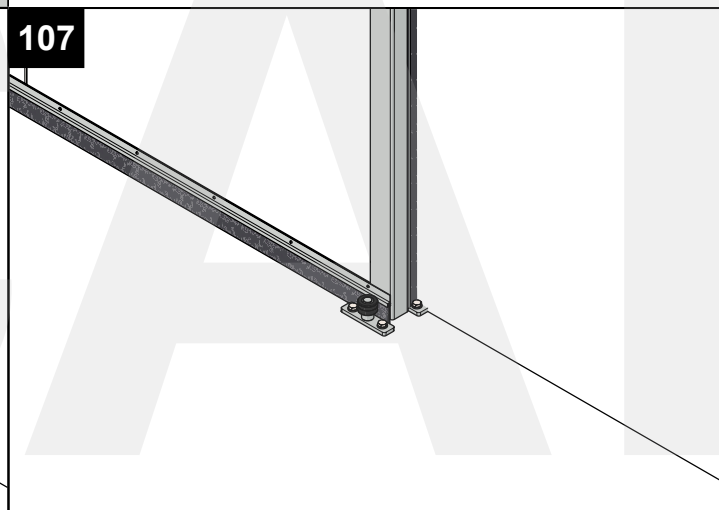
105



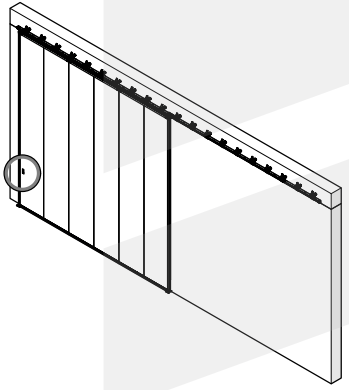
106



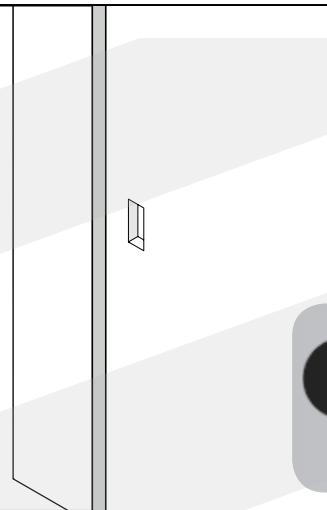
107



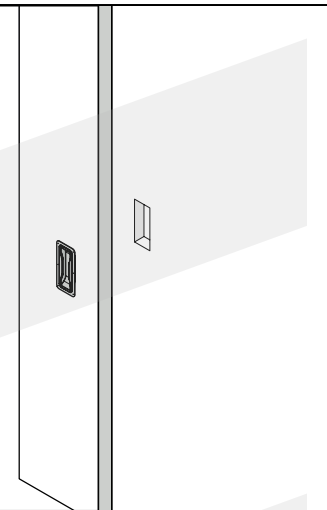
108



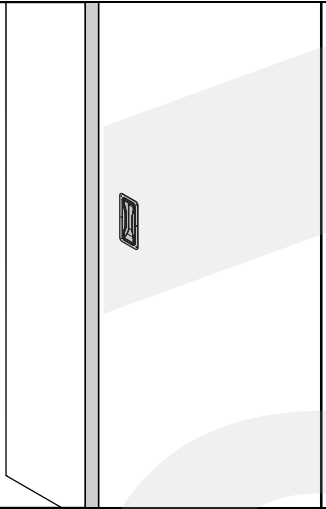
109



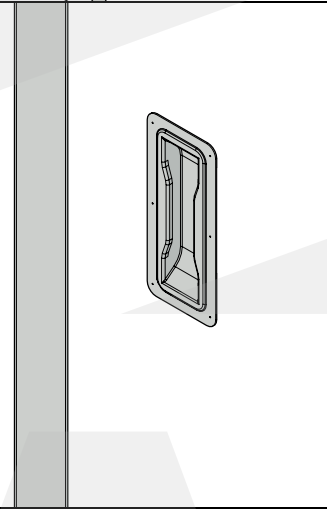
110



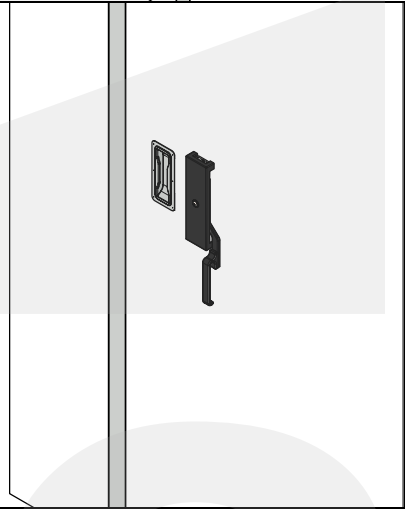
111



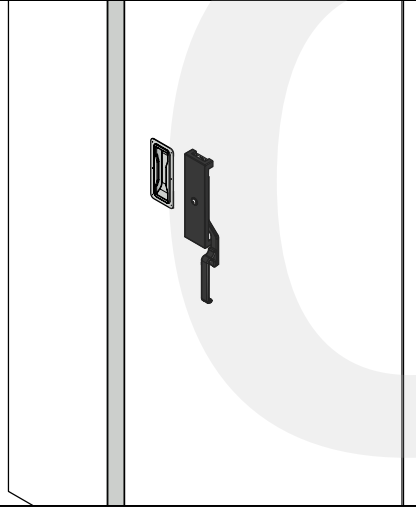
112



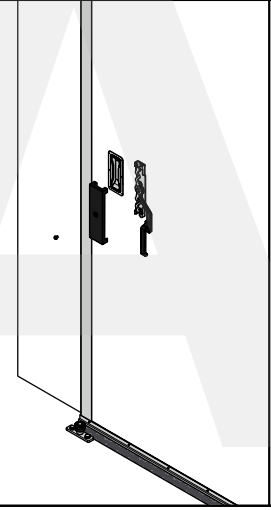
113



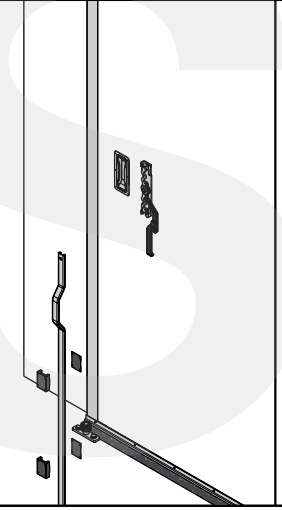
114



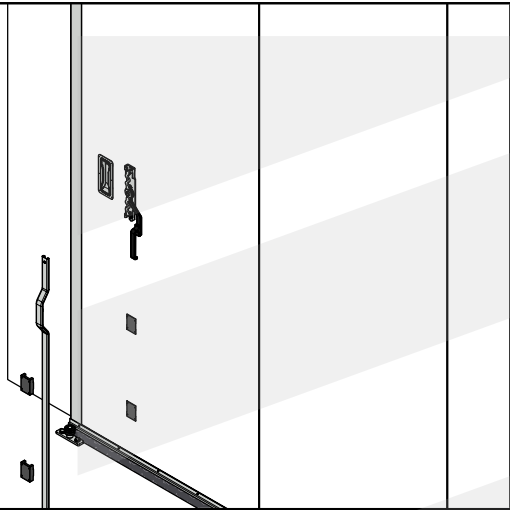
115



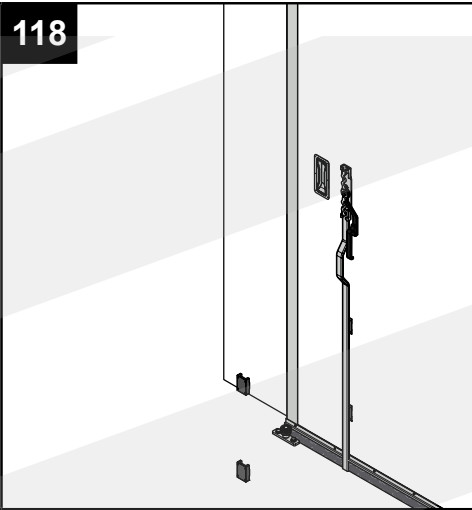
116



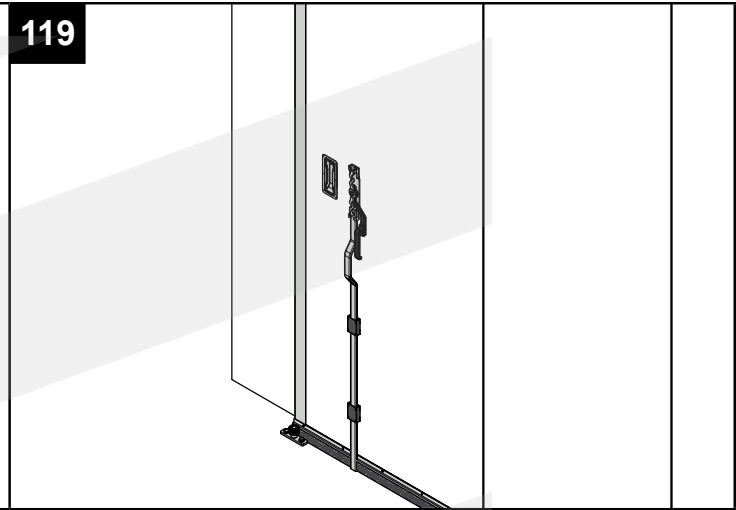
117



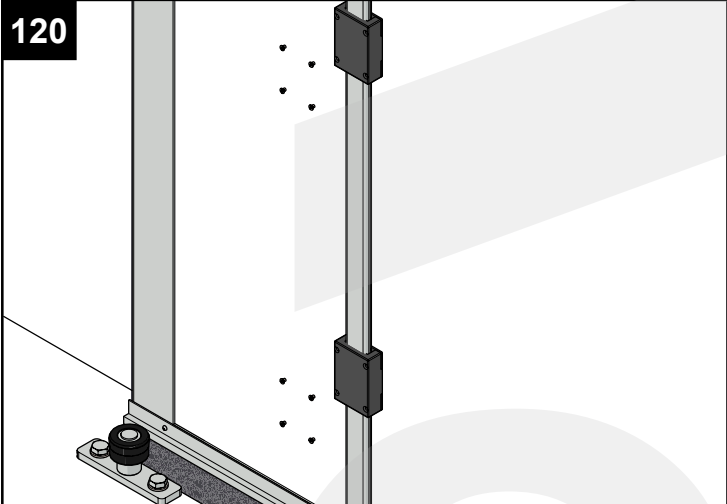
118



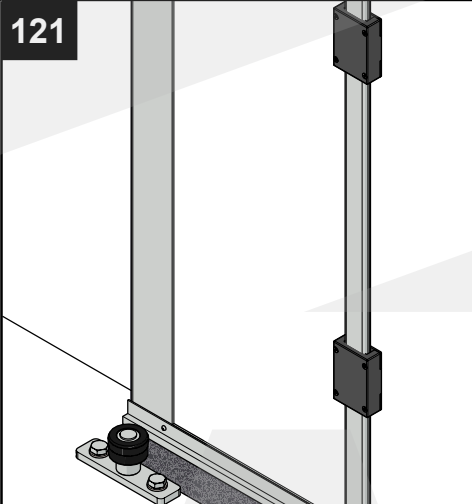
119



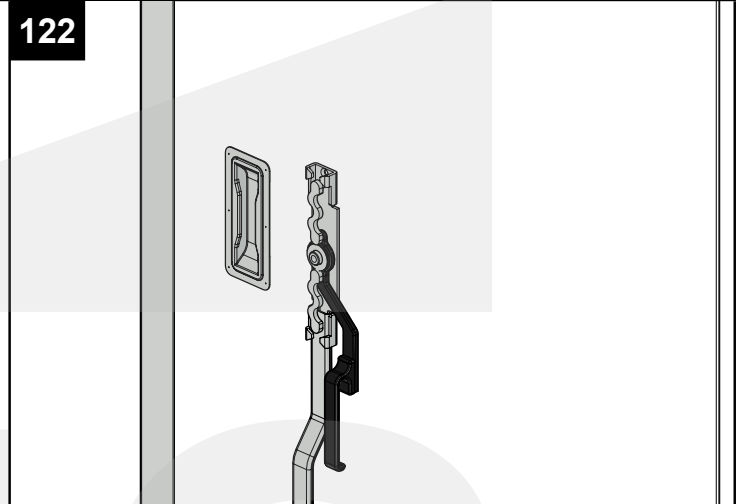
120



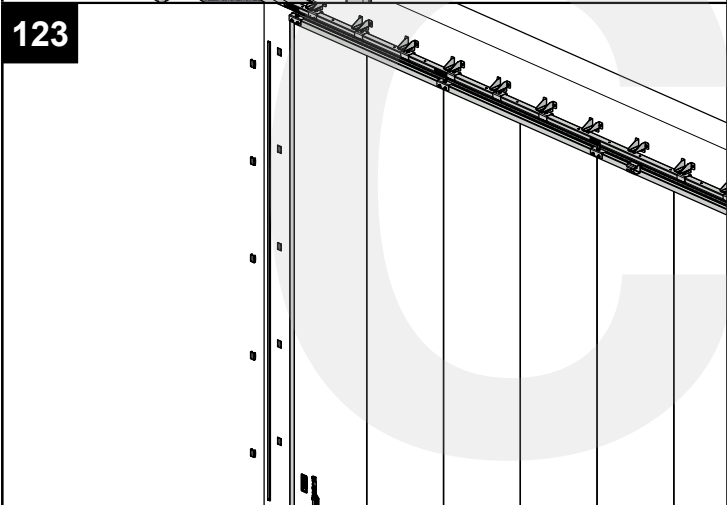
121



122



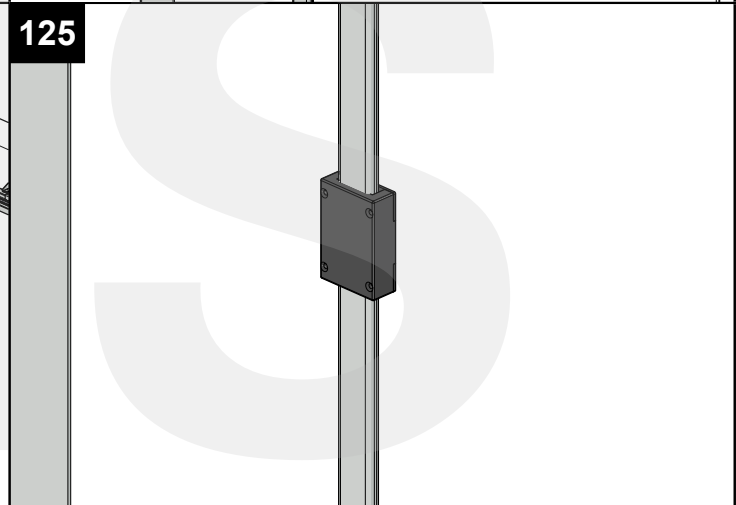
123



124

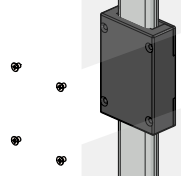


125





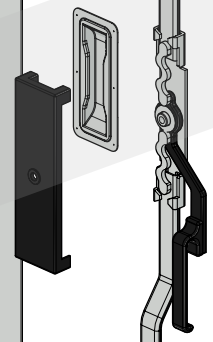
126



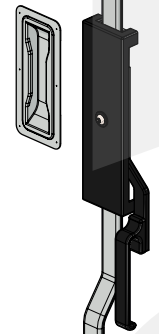
127



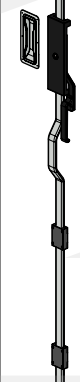
128



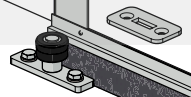
129



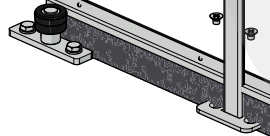
130



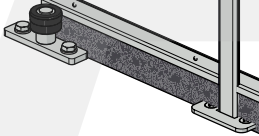
131

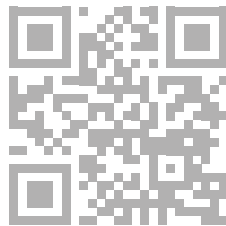


132



133





[www.cais.eu](http://www.cais.eu)